

GHSS/04



COLESSIO HOTEL, 33 SPITTAL STREET, STIRLING

ARCHAEOLOGICAL MONITORING AND EXCAVATION

commissioned by Colessio Hotel Ltd

08/00603/DET

10/00172/FUL

December 2016

COLESSIO HOTEL, 33 SPITTAL STREET, STIRLING

ARCHAEOLOGICAL MONITORING AND EXCAVATION

commissioned by Colessio Hotel Ltd

08/00603/DET

10/00172/FUL


December 2016

project info

HA JOB NO. GHSS/04
NGR NS 7943 9349
PARISH Stirling
LOCAL AUTHORITY Stirling
OASIS REF. headland1-247064

project team

PROJECT MANAGER Edward Bailey
AUTHOR Magnar Dalland
FIELDWORK Jürgen van Wessel, Kirsty Dingwall, Magnar Dalland,
Russel Coleman, Steve Roe
GRAPHICS Caroline Norrman, Mano Kapazoglou, Rafael Maya-Torcelly
SPECIALISTS Julie Frankin – Finds
Laura Bailey, Sarah-Jane Haston, Tim Holden – Environmental
David Henderson – Bone
APPROVED BY Edward Bailey – Project Manager



 **HEADLAND
ARCHAEOLOGY**

© 2016 by Headland Archaeology (UK) Ltd



SCOTLAND

Headland Archaeology
13 Jane Street, Edinburgh EH6 5HE

0131 467 7705

scotland@headlandarchaeology.com

www.headlandarchaeology.com

PROJECT SUMMARY

Archaeological monitoring was carried out during ground breaking works associated with the conversion of a 19th century building into a hotel at 33 Spittal Street, Stirling. The work included watching briefs during the excavation of test pits and service trenches and a small open area excavation. Due to delays in the construction process the work was carried out intermittently over a period of over four years from October 2009 until January 2014.

The fieldwork uncovered boundaries, a well and large pits associated with activity within the medieval burgage plots stretching back from Spittal Street. The features produced large amounts of pot dating from the 12th to the 16th century. No medieval buildings were recorded

Remains of post-medieval buildings and boundaries on the form of mortared stone walls were recorded at several locations. Some of these can be identified as buildings and walls featured on the 1st edition OS map of Stirling from the mid-19th century.

CONTENTS

1	INTRODUCTION	1
2	SITE LOCATION AND DESCRIPTION	1
3	ARCHAEOLOGICAL AND HISTORICAL BACKGROUND	1
4	AIMS AND OBJECTIVES	1
5	METHODOLOGY	3
	5.1 MONITORING	3
	5.2 RECORDING	3
6	RESULTS	3
7	FINDS ASSESSMENT	11
	7.1 INTRODUCTION	11
	7.2 DISCUSSION	13
8	ENVIRONMENTAL ASSESSMENT	13
	8.1 INTRODUCTION	13
	8.2 METHODOLOGY	14
	8.3 RESULTS	14
	8.4 DISCUSSION	14
	8.5 CONCLUSION	14
9	BONE ASSESSMENT	15
10	DISCUSSION	15
11	CONCLUSION	16
12	REFERENCES	16
	12.1 BIBLIOGRAPHIC SOURCES	16
	12.2 CARTOGRAPHIC SOURCES	16
13	APPENDICES	18
	APPENDIX 1 SITE REGISTERS	18
	APPENDIX 2 FINDS CATALOGUE	30
	APPENDIX 3 ENVIRONMENTAL TABLES	40
	APPENDIX 4 DISCOVERY AND EXCAVATION IN SCOTLAND ENTRY	45

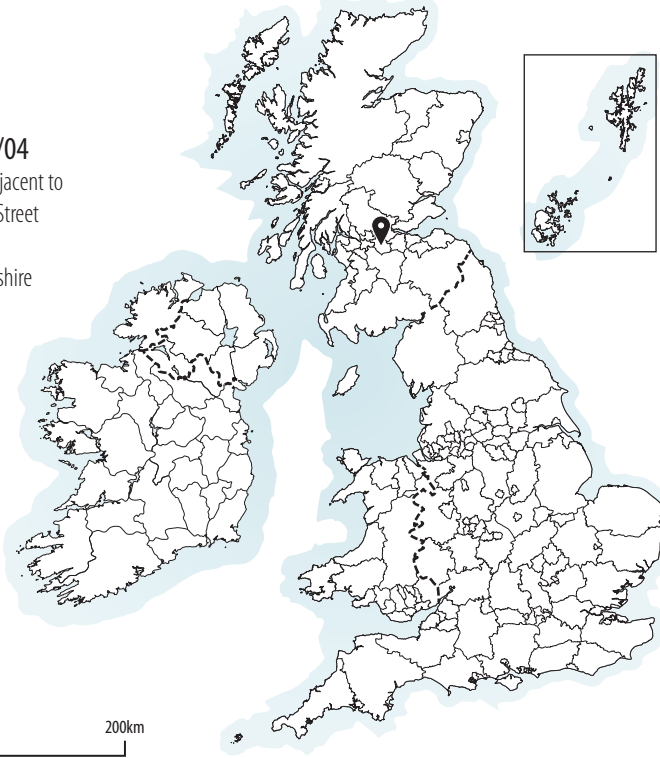
LIST OF ILLUSTRATIONS

ILLUS 1 SITE LOCATION	VIII
ILLUS 2 AREAS INVESTIGATED	2
ILLUS 3 FEATURES IN AREAS 3A–C	4
ILLUS 4 SECTION ACROSS WELL [154] SHOWING INTERLEAVING MIDDEN AT THE BASE. FACING NW	5
ILLUS 5 PROFILE SHOWING DEPOSITS WITHIN WELL [154]	5
ILLUS 6 GULLY [170]. FACING SE ILLUS 7 SLOTS THROUGH INTERCUTTING PIT COMPLEX ([160,162, 204, 207, 227]). FACING SW	6
ILLUS 8 SLOT THROUGH ELONGATED PIT [223=162]. FACING SW	6
ILLUS 9 GULLY [166]. FACING NE	6
ILLUS 10 OPENING [246] IN WALL [245]. FACING SW	7
ILLUS 11 WALL [247]. FACING S	7
ILLUS 12 WALL [254] AT EDGE OF TRENCH. FACING N	7
ILLUS 13 BOUNDARY WALL [272]. FACING NW	7
ILLUS 14 PIT [280] EXPOSED IN SIDE OF SERVICE TRENCH. FACING N	7
ILLUS 16 WOODS MAP FROM 1820 SHOWING BURGAGE PLOTS IN THE AREA	9
ILLUS 17 SELECTED FEATURES SUPERIMPOSED ON THE 1858 OS MAP	10

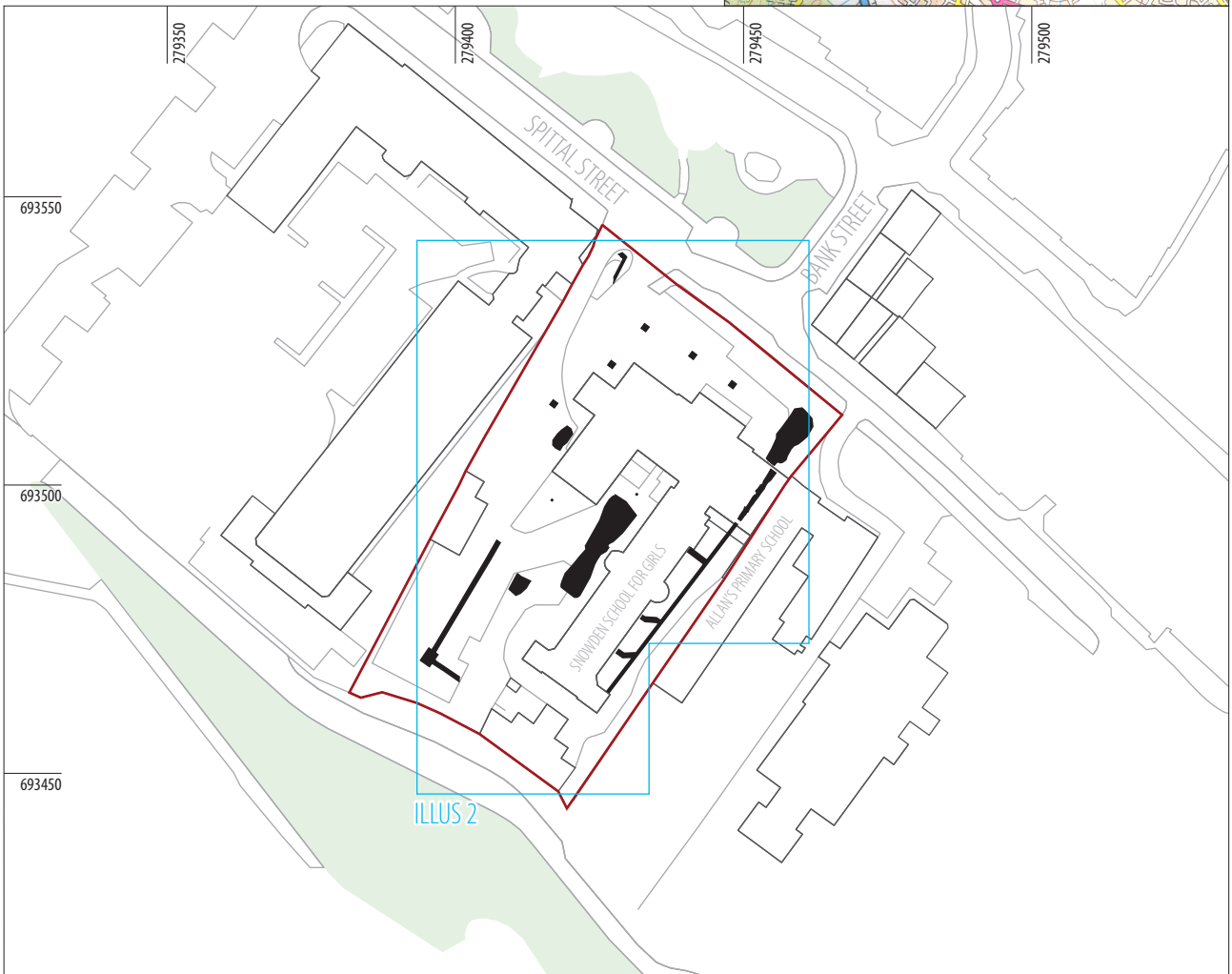
LIST OF TABLES

TABLE 1 ASSEMBLAGE SUMMARY QUANTIFIED BY FEATURE	12
TABLE 2 MEDIEVAL POTTERY TYPE SERIES	13

GHSS/04
 land adjacent to
 Spittal Street
 Stirling
 Stirlingshire



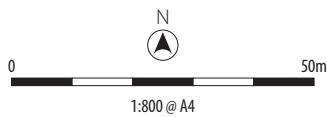
0 200km



Ordnance Survey © Crown copyright 2004. All rights reserved. Licence no. AL 100013329

KEY

- site boundary
- events



SCOTLAND

13 Jane Street
 Edinburgh EH6 5HE
 0131 467 7705
www.headlandarchaeology.com

ILLUS 1 Site location

COLESSIO HOTEL, 33 SPITTAL STREET, STIRLING

ARCHAEOLOGICAL MONITORING AND EXCAVATION

1 INTRODUCTION

Headland Archaeology (UK) Ltd was initially commissioned in 2008 to carry out archaeological watching briefs during all intrusive site work in connection with the construction of a new hotel through renovation of the former Stirling Infirmary. The project changed ownership during the construction phase and took therefore over 4 years to complete.

Planning permission for the development was granted by Stirling Council (08/00603/DET and 10/00172/FUL) subject to an archaeological condition. Condition 4 states:

'The developer shall secure the implementation of an archaeological watching brief of all site investigations, demolition works and the excavation of foundations for new build on the site. The watching brief is to be carried out by an archaeological organisation acceptable to the planning authority. The retained archaeological organisation shall be afforded access at all reasonable times and allowed to record and recover items of interest and finds. Terms of reference for the watching brief are attached to this consent. The name of the archaeological organisation retained by the developer shall be given to the planning authority not less than 14 days before development commences on site.'

The initial phases of work comprised watching briefs during the excavation of test pits and service trenches around the building. During landscaping of the yard to the SW of the building a series of intercutting pits were exposed. These features were subject to a small open area excavation prior to further construction work.

The fieldwork took place over several periods between October 2009 and January 2014.

2 SITE LOCATION AND DESCRIPTION

The site lies between 40m and 47m OD. It is located on the sloping ridge that extends down to the SE from the castle, part of a crag and tail formation created by glacial erosion and deposition during the

last ice age. The geological sub-soil comprised orange sand partly derived from in situ weathering of the bedrock.

The site is located on the SW side of Spittal Street leading up to Stirling Castle some 650m to the NW (Illus 1). The site extends from the street across to the old town wall built along the steep cliffs running SE from the castle. It covers an area of some 0.4 hectares and includes several former strip properties extending from the street back to the cliffs to the SW. The ground slopes significantly to the SE and some boundaries act as revetment walls to level off the ground within each plot.

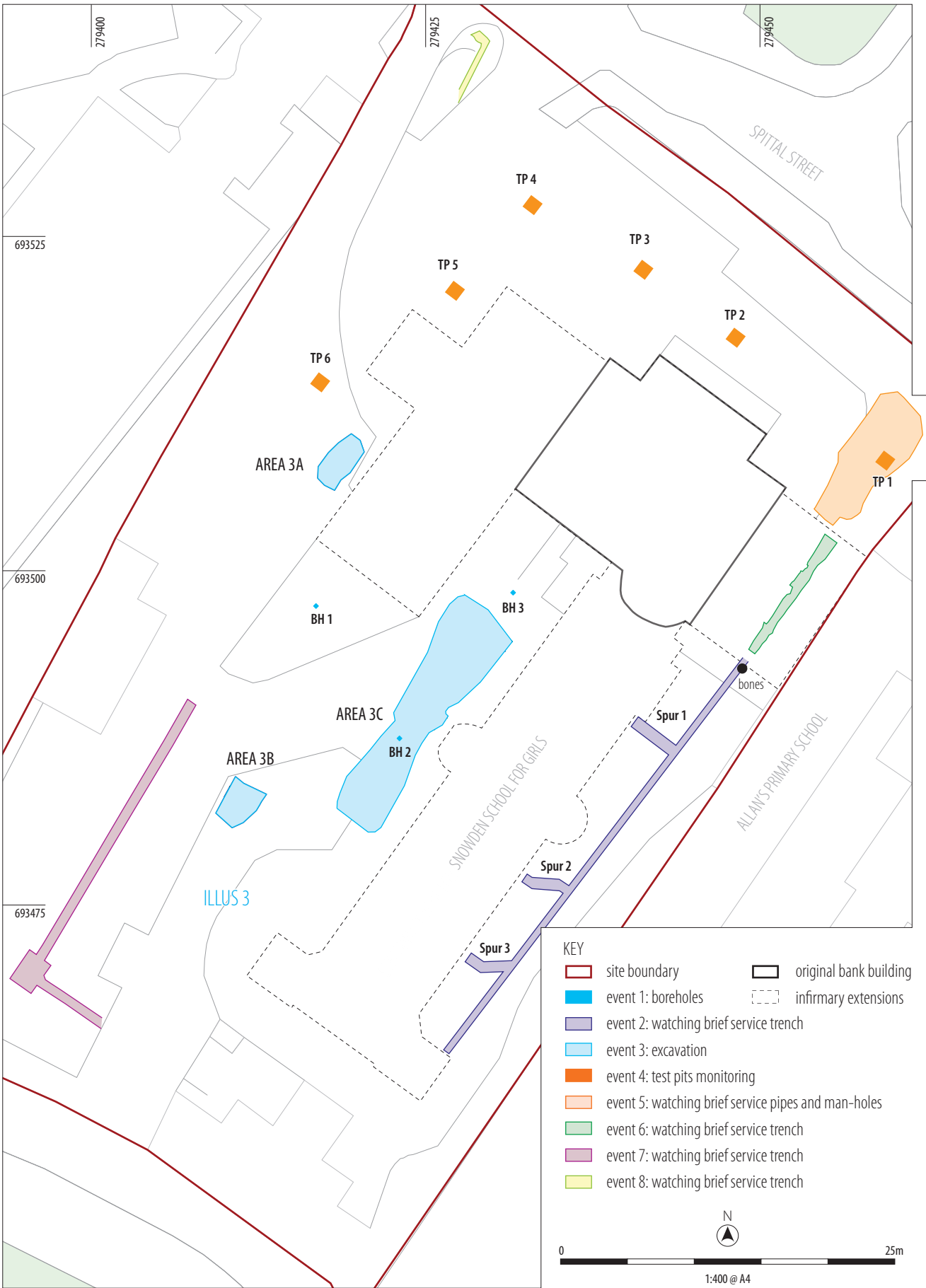
3 ARCHAEOLOGICAL AND HISTORICAL BACKGROUND

The building is registered in the National Monuments Record of Scotland (NMRS) NS79SE 236. The main building was originally built as the Commercial Bank of Scotland in 1827. During the excavation of the foundations in August 1827 human remains were found. They were reported as Roman and were found 9 feet below ground in a trench some 12–14 feet long which ran east-west. The remains were better preserved at the eastern end where they lay on bedrock which is described as having been 'cut or hollowed out to receive the deposit'. Although charcoal, ashes and pottery were reportedly found with the human remains the pottery is not described to allow confirmation of a Roman date for the burial. All finds are now lost.

The bank was converted to use as the first Stirling Infirmary in 1873–74 and later extended in 1878, 1883 and 1913 (Illus 2). The building complex went out of use as a hospital in 1928 and was later used as a district library and offices for the Forth Valley Health Board.

4 AIMS AND OBJECTIVES

The aim of this programme of archaeological monitoring is to locate, identify and record any archaeological remains which may survive within the development site that are to be affected by the development.



ILLUS 2 Areas investigated

5 METHODOLOGY

5.1 MONITORING

Boreholes, test pits, service trenches and foundations were excavated under direct archaeological supervision. Archaeological deposits and features exposed during the monitoring were hand cleaned and excavated prior to recording.

5.2 RECORDING

All recording followed ClFA Standards and Guidance for conducting archaeological excavations.

All contexts have been given unique numbers. A full list of these can be found in Appendix 1 at the end of this report. All recording was undertaken on pro forma record cards. The photographic record comprises both digital and analogue colour prints and slides. A full photographic record can be found in Appendix 1 at the end of this report.

A site plan including all identified features, areas of excavation and other pertinent information were recorded digitally. The site plan has been accurately linked to the National Grid and heights to OD using mapped reference points and the nearest OS benchmark.

6 RESULTS

For reference the areas monitored and investigated has been grouped into eight different events (Illus 2).

1. Monitoring of boreholes 2/10/2009

Three boreholes were located in the yard to the SW of the building (BH 1–3, Illus 2). The boreholes were some 15cm in diameter. No significant archaeological deposits were recorded. In Borehole 1 the topsoil was 0.3m thick overlying 2.5m deep natural sand on top of bedrock. In Boreholes 2 and 3 the upper 0.45m to 1m comprised made ground possibly demolition material over mid brown natural sand.

2. Watching brief of the excavation of drainage trench along the SE part of the building March – April 2010

The trench was cut along the SE wing of the former infirmary with three spurs extending to the NW up to the outer wall of the building. The trench measured some 37m long by 0.5m wide, the spurs were 2.8m to 3.5m long by 0.8m to 1m wide. It was generally 0.6m deep down to bedrock, the overburden comprising loose silty topsoil over more compact 'garden soil' with rubble mixed in. Several defunct services – gas, water, sewage etc. were exposed within the trench.

The bedrock was not reached at the NE end of the trench towards the outer wall of the NE wing of the building. A small quantity of human bones were retrieved from the SE edge of the trench cut some 0.5m from this wall (Illus 2). The bones were confined to a small area some 1m below the present ground

surface and appeared to be in situ possibly deposited within a small pit (007) although it was not possible to define any edges of a cut.

No other archaeological features were exposed within the trench.

3. Excavation of areas in the yard to the SW of the building 23/6 – 9/7/2010

Landscaping of the yard to the SW of the building uncovered three areas containing archaeological features (3a–c, Illus 2). The construction of buildings and previous landscaping had in the past cut into the geological subsoil leaving only these three areas of undisturbed ground.

Area 3a (Illus 3)

Area 3a was located to the NW of the SW wing of the former infirmary. To form level ground for the wing a scarp had been cut into the ground to the NW, supported by a revetment wall. As part of the construction programme the SW wing and part of the revetment was demolished exposing a 2m high section of the geological subsoil comprising orange brown sand. The section contained a 1.5m wide cut with vertical sides [154] (Illus 4). It was up to 2.25m deep, cut through a brown sandy loam (153) at top of the section likely to represent a buried ground surface. The base seems to be cut into an aquifer at the top of weathered bedrock. Water started to well up from the base of the cut as soon as it was exposed indicating that this feature was a well.

The upper 1.5m was filled with homogenous mid brown fine sand with some small stones (155). The uniformity of the fill in contrast to the laminated underlying deposits suggest it represents rapid backfill of the upper part of the well.

The deposits at the lower 0.75m comprised a series of interleaved banded deposits (209–213, 219–222) (Illus 5). Several of these were wedge shaped indicating that they represented material dumped into the cut from one side. The deposits contained numerous medieval potsherds implying that the well was used as a rubbish pit once it went out of use.

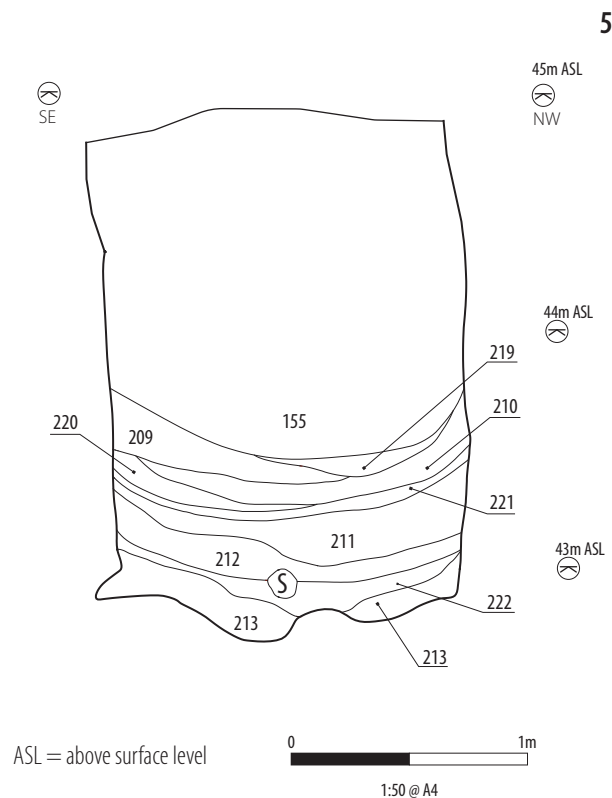
Despite being cut into sand there was little evidence of erosion from the sides of the cut suggesting that the well had been lined. Despite being partly waterlogged organic preservation was poor even towards the base of the well. However narrow bands of organic brown material (219) was noted on top of the banded deposits, possibly remains of decayed wood which may represent a collapsed well lining. A similar narrow band was seen lining on the lower SW sides of the cut which may be in situ remains of the lining.

Area 3b

This area comprised a small segment of preserved old ground surface measuring 3.1m by 2.7m and located some 50m to the SSW of the well (Illus 3). The ground surface was roughly on level with that of the well to the NNE. The old ground surface extended up to the edge of the site to the NW and was truncated on the other sides. A ditch [170] aligned NW to SE cut across the area (Illus 6). It was 0.8m to 1.15m wide, up to 0.3m deep and was



ILLUS 3 Features in Areas 3a–c



ILLUS 4 Section across well [154] showing interleaving midden at the base. Facing NW **ILLUS 5** Profile showing deposits within well [154]

2.7m long from the point where it emerged from the edge of the trench to being truncated to the SE. It was filled with grey brown sandy silt containing medieval pot sherds.

Area 3c

This area was located in the courtyard between the NW and SE wing of the infirmary (Illus 3). It extended some 19m NE to SW and was between 2.7m and 5.2m wide. The NE half of the area was dominated by a large complex of intercutting pits measuring in total some 8.7m NE-SW by up to 4.5m wide (Illus 7). As the features were exposed at formation levels, and the pits were over 1m deep in places, it was agreed to only cut slots through the features to sample the fills for finds and environmental material and leave the features in situ below the new yard surface. By doing this no big cavities were created in the surface that later had to be infilled and compacted.

The fills of the intercutting pits were similar making it difficult to define the cuts in plan. The stratigraphy was established through the recording of the sections of the slots cut through the complex.

Pit [160] lay at the N end of the complex. It was some 2.5 m wide, 0.4m deep and truncated to the S by pit [204]. The pit contained a single fill (161) uniform mid brown sandy silt containing occasional stones and 13th to mid-14th century pot sherds.

Pit [204] to the S of [160] was some 2.3m wide, up to 0.55m deep and truncated to the S by cuts [227] and [162]. It was filled with four interleaving deposits (200 – 203) up to 0.3m deep. The upper

three fills did not extend across the full width of the pit suggesting that they had been dumped into the pit from opposite sides. The lower three deposits all contained medieval pot sherds.

Pit 162 (= [223]= [225]) was a large elongated pit, aligned NE-SW, truncated to the NE by [207] and to the N by [227]. The cut was truncated to the NE by the foundations of the SE wing of the infirmary. It was over 7.3m long by 2-2.5m wide and up to 1.2m deep with near vertical sides and a flat base (Illus 8). The S edge suggests that it turned a right angle to the SE at the E end. The pit was exposed in three slots and may comprise several intercutting pits. However the edges showed no indents indicating different cuts and the profile in the two slots to the SW was very similar suggesting that this was one large cut. The fills of the pit were between 0.1m and 0.7m thick. They all appeared to be dumped deposits rather than gradual accumulated sediments. The fills of the pit contained some 280 medieval pot sherds dating from the 13th to 15th century.

Pit [207] was a smaller elongated pit aligned NW-SW. It truncated to the SE by the foundations of the SE wing of the infirmary and extended 2.3m NW to SE by 1.3m wide and was up to 0.3m deep. The pit was cut into the upper deposits of [162] to the S. It contained a single fill (206) dark brown sand medieval pot sherds dating to the 14th to 15th century.

Pit [227] cut into the upper deposits of [162] to the NW. It was truncated by a modern pit to the W and extended 1.9m E-W by 0.9m wide and up to 0.5m deep. It was filled by mottled grey brown silty clay (226) containing 13th to mid-14th century pot sherds.



ILLUS 6 Gully [170]. Facing SE **ILLUS 7** Slots through intercutting pit complex ([160,162, 204, 207, 227]). Facing SW **ILLUS 8** Slot through elongated pit [223=162]. Facing SW **ILLUS 9** Gully [166]. Facing NE



ILLUS 10 Opening [246] in wall [245]. Facing SW **ILLUS 11** Wall [247]. Facing S **ILLUS 12** Wall [254] at edge of trench. Facing N **ILLUS 13** Boundary wall [272]. Facing NW **ILLUS 14** Pit [280] exposed in side of service trench. Facing N

A rectilinear pit aligned NW-SE [164] is located at the SW end of the pit complex. It cuts into [164] to the NW and is truncated by building foundations to the SE. The pit measured 1m NW to SE, was 1.45m wide and 0.75m deep. The pit had near vertical sides and a flat base. The primary fill of the pit (176) was a mid-grey silty clay up to 0.18m thick that appeared to have been accumulated within the pit. It was covered by wedges of sand at either sides, presumably sand eroding from the sides into an open pit. The upper fill (165) was a uniform deposit of mid brown silty clay that filled the upper 0.55m of the pit, likely to represent rapid infill as there was no evidence of laminations or sand eroding from the sides. Both the basal and upper fill contained medieval pot sherds dating to the 13th to the mid-14th century.

A sub-circular pit [180] was located at the SW end of [162]. It may have cut [162] but the overlap is very slight. The pit was some 2m

in diameter and up to 0.6m deep. It had steep curving sides with a flat base. The pit was truncated to the SW by a modern cut probably Borehole 2 from the site investigation in October 2009.

Gully [166] is aligned NNE to SSW and is located to the SW of pit [180] (Illus 9). It is truncated by the modern borehole pit to the NE, and ends in a rounded terminal to the SW. The gully is 5.5m long, 0.6m to 0.8m wide by 0.4m deep. Shallower at the SW end (0.15m), deeper towards the NE. It had curving sides and a rounded base forming a splayed U-shaped profile. There was a marked step in the base exposed in the middle slot suggesting that it had been excavated in segments. The cut was filled with mid grey brown clayey silt (167) mottled in places and with occasional medium stones towards the base. There were faint laminations in the deposit suggesting that it was filled up through several episodes



ILLUS 15 Medieval redware bridge spout with moulded face decoration, pit [164], fill (165)

of dumping. The fill contained regular flecks of charcoal and pot sherds dating from the 13th to the mid-14th century.

A small oval pit [172] 0.75m by 0.5m by 0.15m deep was located to the SE of gully [166]. It was filled by (173) orange brown clayey silt with occasional flecks of charcoal and a few 13th to 14th century pot sherds. It was truncated to the SE by a linear cut [174] aligned NE-SW. This cut was 0.3m wide by 0.2m deep with vertical sides and a flat base. It had a mixed fill, loose in places and containing no finds indicating that it may be a modern feature

4. Monitoring of the excavation of test pits 7/2/2013

Six test pits were located to the NE and NW of the building. They measured generally 1m by 1m by 1m deep. Test Pits 1 and 2 towards the NE corner of the building exposed made ground down to 1m below the surface. In the remaining four test pits located around the NW corner of the building the depth of made ground was between 0.3m and 0.5m deep overlying orange brown sandy subsoil. No archaeological features were exposed in the pits.

5. Watching brief of the excavation for service pipes and man-holes in front of the NE corner of the building 11/2 – 18/2/2013

An area some 11m by 4m was excavated in front of the NW corner of the building. It was cut up against the outer wall of the building and extended down towards the street to the NE.

The NW corner of a building was exposed at the SW end of the area. It was defined by a mortared stone wall [245] 0.45m wide, up to 1.2m high and built from roughly dressed stone. The wall extended SE along the front of the current building beyond the edge of the trench. The return wall towards the SW continued under the current building which was built directly on top of the earlier structure. An opening in the NE-facing wall was located 1m to the SE of the corner [246]. Only the top right corner was exposed, it is therefore not clear if this represent a door or a window (Illus 10). The opening was 0.55m wide and spanned by external and internal sandstone lintels.

Keyed into the outside corner of [245] was a second mortared wall aligned down the middle of the trench towards the NE [247]. The wall was 5.6m long, 0.45m wide and over 1.3m high. It was truncated at the NE and there was a marked dog-leg in the wall line some 3m from the SW end (Illus 11). Due to the slope of the underlying natural ground, the natural subsoil was only exposed on the NW side of the wall towards the SW end of the trench. It comprised dark orange brown sand.

A small pit or possibly post-hole [250] was exposed in the edge of trench at the SW corner. It was cut through made ground (243) and was 0.4m wide by 0.5m deep with near vertical sides and an asymmetric pointed base. The cut was filled with (251) mixed grey sandy gravel, containing stones and mortar, similar to (243), as well as a medieval and one post-medieval pot sherd.

The SE face of a mortared stone wall [254] made from squared stone blocks and aligned NE-SW was exposed at the edge of the trench to the NW (Illus 12). It was 0.45m wide, over 2.2m high and exposed over a distance of 5.7m. The wall is depicted on the 1st edition OS map from 1858, enclosing the forecourt in front of the bank. The height of the wall indicates that it also functioned as a revetment wall.

6. Watching brief during the excavation of service trenches within the NE part of the building 7/3 – 19/3/2013

A service trench had been cut into the ground below the floor within the NE part of the building. This part was an extension to the SE of the original bank built in connection with the conversion to an infirmary in the latter parts of the 19th century. The original trench was excavated during the first phase of work in 2009 but had to be deepened to achieve the correct slope into the re-designed manholes to the NE. The trench was 10.3m long running between the inner walls.

The trench cut through a series of mortared stone walls [257], part of a pattern of walls 0.45m wide on a NW to SE and NE to SW alignment. The walls were built from a mixture of bricks, rounded and squared stones and were constructed to support the floor joists of the current building. In addition to these walls the remains of a further four walls were encountered in the trench.

A mortared stone wall [269] was running NW-SE parallel with and along the inside of the SW wall of the current building [256]. The wall was 0.8m wide and constructed with an outer and inner mortared face and partly hollow middle. The wall was not seen in plan, only in the sides of the service trench. Remains of



ILLUS 16 Woods map from 1820 showing burgage plots in the area

a further two walls aligned NW-SE ([262] and [263]) 0.35m and 0.48m wide, was located in the trench further to the NE.

Remains of a mortared stone wall [264] was recorded running NE to SW along the length of the trench. It was 0.45m wide and truncated to the NE and SW.

A mortared surface [260] was found some 1.45m below the floor joists of the current building. It was partly exposed along the entire length of the trench and built up against the inner face of the SW wall of the building [256].

A similar mortared surface was exposed in the NE half of the trench truncated at the NE end by the original trench cut. The surface was on top of wall foundations running NE-SW [262] and NW-SE [264] and abutted wall [263].

Areas of dark grey brown silty sand (268) was exposed in places at the base of the trench on the SE side of wall [264]. It contained

pieces of mortar and coal at top but was less contaminated further down. It also contained 37 small sherds of medieval pot.

7. Watching brief during the excavation of service trenches at the SW corner of the site 30/4 – 1/5/2013

Two service trenches were located on higher ground in the SW part of the site. They were aligned at right angles and joined by a man-hole. One trench was aligned towards the SE from the man-hole. It was some 6m long by 0.7m wide and excavated down to a depth of 1.1m. The only feature exposed in the trench was a mortared stone wall aligned NNE-SSW, roughly at a right angle to the trench [272]. It was 0.55m wide by 0.8m high and built from squared stone blocks (Illus 13).

The second trench was aligned towards the NE from the man-hole. It was some 23m long, 0.8m wide and up to 1.5m deep. The upper deposit within the trench comprised (274) a modern gravel deposit (Type 1), levelling for the tarmac surface, overlying



ILLUS 17 Selected features superimposed on the 1858 OS map

made ground (276) comprising mixed compact silty sand. Below the made ground was a horizon of grey brown loose silty sand, possibly a buried ground surface. Two cuts were recorded within the trench.

Cut [280] was recorded in the NW side of the trench some 4m NE of the man-hole. It extended 1m along the section and was 0.3m deep with curving sides and a rounded base (Illus 14). The cut did not extend across to the other side of the trench. It was filled with dark grey silty sand (280) containing charcoal and a pot sherd dating from the 13th to 15th century.

A second cut [282] was located some 8m to the NE. It extended across the width of the trench, and extended 1.8m and 2.2m along the two sides. The cut was up to 0.6m and had sloping sides with a flattish undulating base. The pit was filled with (281) mid brown silty sand. The fill was banded with orange sands towards the base indication several episodes of infill.

8. Watching brief during the excavation of service trench at the NW corner of the site 14/1/2014

A service trench was excavated at the NW corner of the site for connection to the main gas pipe. It uncovered a mortared stone

wall [301] aligned WNW to ESE. The wall was 0.7m wide and up to 0.26m high. It was exposed over a distance of 0.6m. The basal course on the N side comprised a dressed yellow sandstone. The wall was built on a foundation that extended up to 0.15m beyond the wall faces. The wall and its foundation survived to a height of 0.42m with the top being 0.3m below the current surface.

To the S of the wall was an area of masonry [302] comprising irregular shaped stones, bricks and brick fragments set in concrete. The masonry was not part of a wall but appeared to have formed the foundation of a structure, extending 1.75m to 2.05m along the trench. At the S end the upper irregular masonry extended beyond the line of what may be the S side of a wall aligned E-W parallel with and 2.4m to the S of wall [301]. Only the upper part of the masonry was removed during the trenching.

7 FINDS ASSESSMENT

7.1 INTRODUCTION

The assemblage numbers 1858 sherds (9.2kg) of pottery, 64 metal finds, 107 sherds (459g) of ceramic building materials, 668g of ironworking waste and a handful of clay pipe and glass sherds and finds of worked stone. Almost all the assemblage is of medieval date, with a few later finds. The majority of the finds were recovered from fieldwork in 2010, with further finds excavated more recently. This report covers all phases of work at the site. A summary of the assemblage by feature is shown in Table 1. A complete catalogue of all the finds is given at the end of the report. The finds have been appropriately packaged in three numbered boxes.

Medieval pottery

The medieval pottery assemblage numbered 1849 sherds (9.035kg). The bulk is made up of local white gritty and redwares (see Table 2). There are also a few sherds from Scarborough type jugs. Other imported vessels are represented only by small sherds. They include a fragment of possible French Saintonge jug, a sherd of Rhenish stoneware and some fragments of redwares possibly of Low Countries origin, some decorated with applied white strips. A single fragment of a coarse hand-made vessel has been included in this group, though it may in fact be a residual prehistoric sherd.

The best of the assemblage was found in three pits, [154], [164] and [160]. The medieval pottery assemblage from these features accounted for 69% of the assemblage by weight and included most of the notable feature sherds. Pit [154], a well, included a number of sherds making up part of the profile of a jug and sherds potentially representing a near complete cooking pot. The most distinctive sherd in the assemblage was found in pit [164] and was a bridge spout from a jug in the form of a bearded face (Illus 15).

Most of the rest of the assemblage was made up of small abraded sherds, of the type found in garden and plough soils. Though possibly still useful for general dating purposes, it is likely that these contexts will be too mixed to allow for meaningful analysis.

Dating of the assemblage rests on a number of factors. Local red

and white wares are both present but with a predominance of the latter. Cooking pots occur regularly throughout the assemblage, a form which disappears from the local ceramic repertoire around the mid-14th century. The types of imports present are typical of the earlier medieval period rather than the later. Most of the contexts containing medieval pottery could have been deposited between the 13th and mid-14th centuries. This dating is clearly more secure in those features such as the three pits noted above where sherd size is large and deposits are apparently undisturbed.

Little work has been done on medieval pottery in Stirling as there is little in the way of sizeable medieval assemblages from the town. Comparable material has been recovered from midden deposits at Stirling Castle (Franklin 2010) but this is typically poorly stratified and the majority of later medieval or post-medieval date.

Post-Medieval to modern pottery

The later pottery amounts to only 13 sherds (197g) and are thinly scattered across the site. The types present are typical of the period, including post-medieval reduced and oxidised wares, transfer printed white ware, sponge ware and tin-glazed earthenware. Some post-medieval sherds were found in otherwise medieval features (linear 166 and 170) and may be intrusive. Other sherds may date their contexts but are found in such small numbers that this dating can be only tentative.

Metalwork

The metalwork was made up of 53 iron finds, seven of copper alloy and four of lead. All are from contexts of apparent medieval date.

The most notable of the copper alloy finds is a spur (SF1, pit [154]). Unfortunately it is in several pieces and missing both terminals and pointed end and is thus impossible to date securely. However, the way the neck has broken implies a prick spur, which would certainly be consistent with an earlier date. Rowel spurs first appear in the 13th century and largely supplant prick spurs by the second quarter of the 14th century (Ellis 1995, 129).

Much of the ironwork is unfortunately unidentifiable due to thick corrosion products. However a number of horseshoe nails were identified, particular concentrated in pit [154]. Horseshoe nails change form over time and with x-ray analysis, these could provide further dating evidence. Also a possible socketed arrowhead was found in pit [164] (SF24) and a possible mail ring was in pit [180] (SF31).

The only lead finds of note were two weights found in pit [160] (SF4, SF5), both of around 2oz. The overall impression given by the metalwork is of an assemblage of some status and a possibly military nature.

Ceramic building material

There were five sherds (273g) of flat roof tiles scattered though several medieval features (pits [164], [160], [225] and linear feature [170]). These were all in a red fabric, typically soft. They are likely to be of medieval date. Several fragments (89g) of burnt daub may also be medieval, possibly the remains of wattle and daub structures, though all are small and there are no large concentrations. There are

CONTEXT	POTTERY (MEDI)		POTTERY (PM)		POTTERY (MOD)		COPPER ALLOY	LEAD	IRON	CLAY PIPE	GLASS	LITHICS	CBM		STONE	MORTAR	IND WASTE	DATING
	Count	Wgt (g)	Count	Wgt (g)	Count	Wgt (g)	Count	Count	Count	Count	Count	Count	Count	Wgt (g)	Count	Wgt (g)	Wgt (g)	
154	633	4,144	–	–	–	–	1	–	12	–	–	3	4	3	1	–	<0.5	13th – M14th with PM intrusion
160	143	1,063	–	–	–	–	3	3	1	–	1	–	1	89	1	–	17	13th – M14th with Mod intrusion
162	166	475	–	–	–	–	–	–	5	–	–	1	8	2	1	–	17	13th – M14th
164	220	1,050	–	–	–	–	–	–	7	–	–	2	6	41	–	–	88	13th – M14th
172	3	11	–	–	–	–	–	–	–	–	–	–	–	–	–	–	–	13th – 14th
180	22	130	–	–	–	–	–	1	2	–	–	–	44	52	–	–	<0.5	13th – 14th
204	10	10	–	–	–	–	–	–	1	–	–	–	–	–	–	–	3	13th – 15th
223=162	14	20	–	–	–	–	–	–	2	–	–	–	8	5	–	–	2	13th – M14th
225=162	239	646	–	–	–	–	1	–	7	–	1	2	5	57	–	–	34	13th – M14th with Mod intrusion
227	25	44	–	–	–	–	–	–	1	–	–	–	–	–	–	–	7	13th – M14th
280	1	1	–	–	–	–	–	–	–	–	–	–	–	–	–	–	9	13th – 15th
282	–	–	–	–	–	–	–	–	–	–	1 bead	–	4	1	–	–	2	Medi?
166	45	172	1	28	–	–	–	–	3	–	–	–	–	–	–	–	<0.5	13th – M14th with PM intrusion
170	62	251	3	44	–	–	–	–	2	1	–	1	2	115	–	–	28	13th – M14th with PM intrusion
207	13	17	–	–	–	–	–	–	–	–	–	–	–	–	–	–	18	14th – 15th
168	1	5	1	21	–	–	–	–	–	–	–	–	–	–	–	–	–	15th – 16th?
251	1	2	1	48	–	–	–	–	–	–	–	–	–	–	–	–	–	Medi, PM
268	224	907	–	–	–	–	–	–	6	1 frag	–	–	21	66	1	–	281	13th – M14th with later intrusion
265/267	19	37	–	–	1	1	2	–	4	–	4	–	3	28	–	1	159	Mixed medieval
153	8	50	–	–	–	–	–	–	–	–	–	–	–	–	–	–	–	13th – M14th
275	–	–	1	22	–	–	–	–	–	–	–	–	–	–	–	–	–	18th?
Mortared surface	–	–	–	–	1	9	–	–	–	–	–	–	–	–	–	–	–	19th – 20th?
Building basement	–	–	–	–	1	8	–	–	–	1	–	–	–	–	–	–	–	18th – 19th?
247	–	–	–	–	2	13	–	–	–	–	–	–	–	–	–	–	–	18th – 20th?
U/S	–	–	1	3	–	–	–	–	–	1	–	–	1	<0.5	2	–	–	PM, Mod
Total	1,849	9,035	8	166	5	31	7	4	53	4	7	9	107	459	6	1	668	

TABLE 1 Assemblage summary quantified by feature

only occasional fragmentary remains of more recent finds, in the form of a small piece of pan tile and a fragment of drain pipe.

Industrial waste

Most of this material appears to relate to ironworking and all was found in medieval deposits. This is common on many urban medieval sites. The largest concentration (281g) was found in deposit (268) and may suggest a blacksmith working in the general vicinity.

Other finds

The only other find of potential medieval date was a small bead of orange/yellow glass found in pit [282], though unfortunately there was very little else found in this pit and nothing to help date it. However the bead is not inconsistent with a medieval date and it is possible that this pit is contemporary with other features from the site.

FABRIC CODE	FABRIC NAME	NOTES	SHERDS	WGT (G)	REFERENCE
SWGW	Scottish white gritty ware	Jugs and cooking pots	1063 (57%)	5,681 (63%)	Jones et al 2003
MRW	Scottish medieval redware	Mostly jug sherds, some white slipped	742 (40%)	3,177 (35%)	Haggarty et al 2011
YORKS	Scarborough type wares	White and pink fabrics, typically copper green glazed	35 (2%)	151g (2%)	Farmer & Farmer 1982
SAINT?	Saintonge mottled green glaze	Fine whiteware, mottled green glaze	1	1	Haggarty 2006, file 3
LCRW?	Low Countries redware	Fine bright orange sandy fabric, red-brown external glaze, some sherds decorated with applied white strips	6	19	Baart 1984
LANG?	Langerwehe stoneware?	Small sherd, grey body, brown salt glazed exterior	1	3	Gaimster 1997, 186-90
COARSE	Coarse hand made	Residual prehistoric?	1	3	—
Total			1,849	9,035	

TABLE 2 Medieval pottery type series

There were nine finds of worked flint, all small and very abraded flint flakes. One (pit [225]) has a retouched edge and is probably a residual prehistoric scraper, though it is not diagnostic of any particular period.

Other finds are of more recent origin. These include small fragments of glass and clay pipe some of which were found intrusively in medieval features. Several stone finds found in medieval features are probably natural. Two more distinctive stone finds were both unstratified, found by workmen on the site. One was a large sandstone slab worked into a 'light bulb' shape. One side in particular is very worn and it is possible that this was a lid for the top of a well or cess pit and as such is potentially of medieval date. The other find appears to be a curling stone. It is complete with an iron L-shaped handle set into the top with lead caulking and is well worn on the underside. The history of curling goes back to at least the 16th century (<http://www.royalcaledoniancurlingclub.org/curling-history/history-of-the-game>) though it is hard to date this stone.

7.2 DISCUSSION

The medieval finds are the only real point of interest in this assemblage. It marks the first significant assemblage of 13th to 14th century material from Stirling town and provides a useful body of material with which to compare contemporary finds from Stirling Castle (Franklin 2010). The best feature for finds recovery was the large well [154], from which the best preserved pottery was recovered as well as a copper alloy spur and a number of horseshoe nails. The deep deposits within this feature have the potential to identify a stratigraphic progression. The proportions of white gritty to redwares appear greater in the lower fills compared to the upper and this would warrant further and more detailed study with the aid of radiocarbon dating if available as it may help establish a pottery sequence for medieval Stirling. Some of the other pottery pit groups, particularly pits [160] and [164] would also provide good

data. The finding of English and European imports in the assemblage is indicative of foreign trade travelling up the Forth. Possibly the presence of the royal castle in the town drew international trade into the hinterland.

The metalwork is also noteworthy as it contains several elements which point towards a certain degree of wealth and status. The spur, arrowhead and fragment of mail are all of interest in this context. An equestrian element is suggested by the spur and the horseshoe nails. The lead weights might suggest commerce. The medieval roof tiles imply substantial buildings in the vicinity though the tiles are too small and fragmentary for much further study. The horseshoe nails might also provide further useful dating evidence to compare with the pottery.

In short this a valuable medieval assemblage with potential for further study. Further study would help refine the dating for features on site, establish the character of the activity in the vicinity of the site and when studied in comparison with the Stirling Castle finds could help establish a local medieval pottery sequence.

8 ENVIRONMENTAL ASSESSMENT

8.1 INTRODUCTION

Forty-eight samples taken during archaeological works at Glenbervie House Hotel, 33 Spittal Street, Stirling, were received for palaeoenvironmental assessment. The samples ranged in volume from 2 to 20 litres. They were from various deposits including the fills of pits and ditches. Three samples from the fill of a well were paraffin floated for the recovery of insect remains. The aims of the assessment were to assess the presence, preservation and

abundance of any environmental remains in the samples and to characterize the assemblage as far as possible.

8.2 METHODOLOGY

Bulk samples were subjected to flotation and wet sieving in a Siraf-style flotation machine. The floating debris (the flot) was collected in a 250 µm sieve and, once dry, scanned using a binocular microscope. Any material remaining in the flotation tank (retent) was wet-sieved through a 1mm mesh and air-dried. All samples were scanned using a stereomicroscope at magnifications of x10 and up to x100. Identifications, where provided, were confirmed using modern reference material and seed atlases including Cappers et al. (2006).

Ten litre sub-samples from deposits 210, 211 and 212 were processed following the standard method of paraffin flotation outlined in Kenward et al. (1980). The samples were then scanned for insect remains under a low power binocular microscope at x10 magnification.

8.3 RESULTS

Results of the assessment are presented in Appendix 3.1 (Retent samples) and Appendix 3.2 (Flot samples). Material suitable for AMS (Accelerated Mass Spectrometry) radiocarbon dating is shown in the tables.

Wood charcoal

Wood charcoal was present in varying quantities, ranging from rare to abundant, in the majority of samples. Charcoal recovered from thirty-four samples was comparatively large (1-3cm) and was of a suitable size for Accelerated Mass Spectrometry (AMS) dating (see Appendix 3).

Cereal grain

Cereal grain was present in 36 samples. Four types of cereal; oats (*Avena* sp.), bread/club wheat (*Triticum aestivo-compactum*), possible emmer wheat (*Triticum* c.f. *dicoccum*) and hulled barley (*Hordeum vulgare*) were identified. Oats were the most commonly identified grain. Cereal grain was generally in good condition and a high proportion of the grain was excellently preserved although some indeterminate grains, were vesicular, puffed and distorted, possibly as a result of combustion at high temperature.

Nutshell

A single small fragment of charred hazel (*Corylus avellana*) nutshell was recovered from deposit (268).

Other charred plant remains

Weed seeds (here used to include seeds, fruit etc) were generally sparse (Appendix 3.2). A small number of corn marigold (*Chrysanthemum segetum*), pale sedge (*Carex pallescens*), ribwort plantain (*Plantago lanceolata*), common fumitory (*Fumaria officinalis*) and dock (*Rumex* sp.) seeds were recovered. These species are typically associated with agricultural fields and disturbed ground. Corn marigold is a common medieval arable weed. It grows best

on sandy soils and is associated with oats, which thrive in similar conditions (Pelling 2012).

Molluscs

Heavily fragmented oyster shell (*Ostrea edulis*) was present in small numbers in five samples (Table 2).

Insect remains

No insect remains were recovered from the fills of the well [154].

Bone

A small amount of heavily fragmented and abraded animal bone was present in the retents. The majority was unidentifiable to species however, a fragment of sheep tooth enamel and a sheep phalange were present in deposits (279) and (176) respectively. Fish bone was present in deposits (177) and (212).

Varying quantities of highly fragmented (<1cm), indeterminate, burnt bone was present in all but two (213 and 234) contexts (Appendix 3.1).

Other remains

The majority of samples contained cinders and coal fragments. Finds recovered during the sieving have been covered in the finds report above.

8.4 DISCUSSION

The environmental assemblage offers little insight into site economy. The majority of pit and ditch fills contained material characteristic of hearth sweepings and kitchen waste, together with building debris and industrial waste.

The charred plant assemblage was dominated by charred cereal grain. Oats were the most abundant taxon although small amounts of barley and wheat were also identified. The presence of oats is suggestive of a medieval or post-medieval date for the assemblage. Oats were the main cultivar during the medieval and post-medieval periods in Scotland. There was no evidence for any large-scale burning events involving cereal grain within the excavated areas, suggesting that the grain was incidentally burnt perhaps during small scale processing.

It is unlikely that further analysis of the material would provide additional information of relevance to the site objectives.

8.5 CONCLUSION

Material suitable for radiocarbon dating was present in several deposits.

Only low quantities of carbonised plant remains were recovered. Detailed analysis would be of very little interpretative value and no further work is recommended.

9 BONE ASSESSMENT

A small quantity of human bone was recovered; in situ material was excavated from context (006), with further unarticulated bones from (004). Most of the assemblage was unstratified material, recovered by contractors on site. On examination, it proved that almost all the bones derived from two individuals, the whole assemblage will be described together in this assessment.

One individual was represented by a right arm and hand: all the bones were present from the middle of the humerus, except for the last two joints of the index finger. The heads of the metacarpals were in the process of fusing to the shafts, indicating an age of approximately 16 years and the bones were quite robust with well-defined muscle attachments, suggesting that the individual was possibly male.

The second individual was represented by an adult left arm and hand: the arm bones were present from mid-humerus to the distal ends of the ulna and radius, a single wrist-bone (the scaphoid), three metacarpals (II, III and IV) and seven of the phalanges. The bones were gracile and light, suggesting that the individual was possibly female.

It is noteworthy that both arms had been sawn off at mid-humerus, using a very fine-toothed saw. It is unclear whether this represents a surgical amputation or a post mortem dissection; neither arm displays evidence of infection or of trauma. Equally, there are no further cut marks on the bones, as might be expected if the limbs had been dissected. The fact that the finger bones were recovered in situ, in their correct anatomical articulation, indicates that the limbs were most probably deposited whole and with at least some soft tissue still attached.

Two adult foot bones were also recovered (an articulating left talus and calcaneus), as was a fragment of a rib.

Three faunal bones were recovered, from sheep, rabbit (possibly intrusive) and a large bird humerus, possibly domestic goose, which displayed knife marks.

10 DISCUSSION

The site is located on the SW side of Spittal Street, the main access to Stirling Castle through the medieval town. The medieval pattern of narrow burgage plots extending back from the street frontage is still clearly visible and was first depicted on the early 19th century maps of the area (Illus 16). The pattern of narrow plots is only broken by public structures such as the prison and the High School.

When the bank was erected on the site in 1825-27 it was built on land that covered three burgage plots, those of Mr. Mouat, G. Brymner Esq. and Mr. Thomson (Illus 16). The bank was later converted into an infirmary and when it was extended to the north in 1913 two plots were added to the property. The current site therefore comprises five former properties.

No Roman remains were uncovered during the fieldwork. The remains recorded when the bank was built in the 1820s is located

in an area that was badly disturbed by the construction work at the time and also later building extensions.

Evidence of medieval activity on the area was recorded at several locations spanning most of the site. Construction and landscaping work within the site has in the past levelled off parts of the site by cutting into the original ground surface. As a result only pockets of the original medieval ground surface has survived. No remains of any medieval buildings were uncovered but large amounts of medieval pottery was retrieved from a series of pits and ditches associated with activities within burgage plots behind the street frontage.

The most extensive area of medieval features were located near the middle of the site where a large complex of intercutting pits and ditches were uncovered. The pits were up to 1m deep and contained several separate fills representing episodes of dumped deposits. There were no evidence of any special activities associated with any of the pits apart from being used for midden deposition.

Gully [166] was aligned NNE to SSW. It was up to 0.8m wide and contained pottery dating it to 13th to the mid-14th century. The shape of the feature suggests that it could have been a boundary ditch. As it coincides both in location and alignment with a boundary depicted on the 1st edition OS map it seems to indicate that this boundary has remained largely unchanged since the medieval period (Illus 17).

A second gully [170] was located some 7m to the W. This ditch was up to 1.1m wide and aligned WNW to ESE roughly at right angles to [166]. The linear feature is likely to mark a boundary. Again it corresponds in alignment but not location to subdivisions within the burgage plot mapped in 1858.

The medieval well [154] was exposed in the section of 2m deep scarp cut for an extension to the infirmary to the NW. It was located on the edge of a higher terrace at the edge of the excavation area allowing only a small area around the top of the well to be investigated. The well was 2.2m deep cutting into an aquifer at the top of weathered bedrock. It was used as a rubbish pit for a while after it was abandoned before being backfilled. Some 633 sherds (4.1kg) of pot dating from the 13th to the mid-15th centuries were retrieved from the well, the majority found in the midden deposits accumulated towards the base.

Evidence of medieval activity was also recorded towards the back of the burgage plot where two pits [280], [282] were encountered in a service trench some 30m to 40m SW of the well. Pit [280] furthest to the SW contained 13th to 15th century pot showing that medieval activities took place also at the rear end of the properties some 80m back from the street.

During the monitoring of a service trench under the floor of the NE wing of the infirmary a small area of what may be an undisturbed ground surface was uncovered (265)/ (267). The deposits contained medieval pot indicating that there had been medieval activity also in this part of the site although the construction of the building would have destroyed the majority of any medieval features in this area.

A series of mortared stone walls were exposed during monitoring of service trenches at the NE corner of the site in front of the current

building. It included the NW corner of a building [245] with a door or possibly window opening [246] facing towards the street to the NE. The building is depicted on the 1st edition OS map surveyed in 1858 (Illus 17). It lies within the front end of the burgage plot belonging to Mr. Thomson that had not been purchased when the bank was built in the late 1820s. Wall [247] ran towards the NE from the corner of the building. It was built onto bedrock to the SW and had a marked dog-leg probably to accommodate the shape of bedrock at this point. This wall is also depicted on the 1st edition OS map, showing the detail of the dog-leg at the 1:500 scale reproduction. Wall [254] ran parallel with and some 1.5m to the NW of [247]. This wall can be identified as the former boundary between the properties of the Commercial Bank of Scotland and Mr. Thomson.

A small quantity of human bones were retrieved from the edge of a service trench just outside the outer wall of the NE wing of the former infirmary (Illus 2). The bones were confined to a small area some 1m below the present ground surface and appeared to be in situ possibly deposited within a small pit. Specialist examination found that the bones derived from an arm from two different individuals (see Henderson above). Both arms had been had been sawn off at mid-humerus, using a very fine-toothed saw. Although not noted during the monitoring, the bone assemblage indicate that both limbs were deposited whole. Given the proximity to the infirmary it is likely that the bones derive either from a surgical amputation or a post mortem dissection.

11 CONCLUSION

The location of the site within the medieval walls of Stirling suggested that medieval features could be located within the site.

The fieldwork was, with the exception of the area of ground reduction in the courtyard, largely confined to watching briefs of narrow service trenches within and around the existing buildings. A total area of some 200m² was investigated during the fieldwork which represent 5% of the site area. However, despite the limited and fragmented areas investigated it was possible to identify boundaries of and activity within the medieval burgage plots stretching back from Spital Street. The features produced a significant medieval finds assemblage dating from the 12th to the 16th century although no medieval buildings were recorded. These are most likely to have been located along the street to the east, and would have been badly disturbed by later buildings. Medieval remains were recorded at locations both at the NW and SE part of the site over 60m apart. This indicates that medieval activity took place across most of the site.

Remains of post-medieval buildings and boundaries in the form of mortared stone walls were recorded at several locations. Some of these can be identified as mapped a building and walls features depicted on the 1st edition large scale OS map of Stirling from 1858 (Illus 17).

One of the most recent discoveries made was the skeletal remains of two possibly amputated arms found just outside the walls of the former Stirling Infirmary. The find indicate a rather unorthodox way of disposal of medical waste compared with modern standards.

12 REFERENCES

12.1 BIBLIOGRAPHIC SOURCES

- Baart, J M 1994 'Dutch Redwares' in *Medieval Ceramics* 18: 19–27
- Cappers, RTJ Bekker, RM & Jans, JEA 2006 *Digital seed atlas of the Netherlands* Barkhuis Publishing and Groningen University Library: Groningen
- Clark, J 1995 'Horseshoes', in Clark, J (ed) *Medieval finds from excavations in London, 5: The Medieval Horse and its Equipment* London 75–123
- Ellis, BMA 1995 'Spurs and spur fittings', in Clark, J (ed) *Medieval finds from excavations in London, 5: The Medieval Horse and its Equipment* London 124–56
- Farmer, PG & Farmer, NC 1982 'The dating of the Scarborough ware pottery industry' in *Medieval Ceramics* 6: 66–86
- Franklin, J 2010 'Finds Report' in *Stirling Castle Palace: Archaeological and Historical Research 2004–2008* [online publication] Available from <http://sparc.scran.ac.uk/publications/level%20II/level2PublicationsMajor.html> Historic Scotland
- Gaimster D 1997 *German Stoneware 1200–1900: Archaeology and Cultural History* British Museum Press: London
- Haggarty, G 2006 *A gazetteer and summary of French pottery in Scotland c1150 – c1650* National Museums of Scotland
- Haggarty, G, Hall, D & Chenery, S 2011 *Sourcing Scottish redwares* Medieval Pottery Research Group Occasional Paper 5
- Haston, S-J 2010 *Glenbervie House Hotel, Stirling; Palaeoenvironmental sample Assessment Report*
- Jones, R, Will, R, Haggarty, G & Hall, D 2002/3 'Sourcing Scottish White Gritty Ware' in *Medieval Ceramics* 26/7: 45–84
- Kenward, HK, Hall, AR & Jones, AKG 1980 'A tested set of techniques for the extraction of plant and animal microfossils from waterlogged archaeological deposits' *Science and Archaeology* 22: 3–15
- Pelling, R 2012 *Dowd's Farm, Hedge End, Hamptonshire, Supplement to Publication, Charred plant remains* Wessex Archaeology

12.2 CARTOGRAPHIC SOURCES

- Thomson, J 1820 'Stirlingshire' in *John Thomson's Atlas of Scotland (1832)* [online map] available from <http://maps.nls.uk/view/74400119>
- Ordnance Survey 1858 'Town Plan of Stirling, Sheet XVII.3.14' *Ordnance Survey large scale Scottish town plans (1847–95)* [online map] available from <http://maps.nls.uk/townplans/stirling.html> (scale 1:500)

Ordnance Survey 1898 'Stirlingshire, sheet 017.03' *Ordnance Survey 25 inch 2nd and later editions, Scotland (1892-1949)* [online map] available from <http://maps.nls.uk/view/82905729> (scale 1:2,500, revised 1896)

Ordnance Survey 1918 'Stirlingshire, sheet n017.03' *Ordnance Survey 25 inch 2nd and later editions, Scotland (1892-1949)* [online map] available from <http://maps.nls.uk/view/82906599> (scale 1:2,500, surveyed 1913)

Ordnance Survey 1947 'Stirlingshire, sheet n017.03' *Ordnance Survey 25 inch 2nd and later editions, Scotland (1892-1949)* [online map] available from <http://maps.nls.uk/view/82906602> (scale 1:2,500, surveyed 1942)

13 APPENDICES

APPENDIX 1 SITE REGISTERS

Appendix 1.1 Context register

CONTEXT	AREA	OVER	DESCRIPTION
001	SE	002	Concrete surface
002	SE	003	Building rubble. Large sandstone chunks in loose sand and mortar matrix
003	SE	004	Fine powdery deposit of lime mortar
004	SE		Dark brown clay loam with frequent stones and mortar
005	SE	006	Same as (004), dark brown clay loam with frequent stones and mortar
006	SE	007	Human bones
007	SE	—	Imperceptible cut
008–149	—	VOID	Not allocated
150	Middle	151	Tarmac with underlying levelling deposit of dark grey sand and gravel. Located at the higher level along the NW side of the site
151	Middle	152, 155	Cobbled surface with underlying levelling deposit comprising brown sand with rubble
152	Middle	153	Cut of ditch for modern ceramic sewer pipe and 2 lead water pipes
153	Middle	157	Brown sandy loam. Buried soil beneath cobbles [151]
154	Middle	153	Cut of well. Almost square in plan with near vertical sides. Flat base. Cut through weathered bedrock that at the time of excavation had the appearance of very compact coarse yellow sand. The degree of weathering decreased towards the base of the pit which comprised stone. The base of the pit cut into an aquifer which produced a steady trickle of water into the base of the pit. This may indicate that the pit originally was used as a well.
155	Middle	209,219	Mid brown uniform sand. Upper fill in cut [154]. Contained potsherds aligned at random angles which indicate a rapid infill of the pit.
156	Middle	154	Lower deposit in [154]. Later split into several banded contexts: 209, 210, 211, 212, 213 and 219.
157	Middle	—	Orange brown sand. Geological sub-soil
158	Middle	—	Modern revetment wall some 3m to the NE of [154]
159	Middle	—	Deposit of demolition rubble covering most of the site
160	Middle	157	Rounded pit, truncated to the S by [204] and [207]. 2.5m by 1.5m+ by 0.4m deep. Steep sides, flat undulating base.
161	Middle	160	Fill of [160]. Mid brown sandy silt with occasional small stones. Uniform fill - no stratification.

CONTEXT	AREA	OVER	DESCRIPTION
162	Middle	157, 200	Large elongated pit, aligned NE-SW, truncated to the NE by [207] and to the N by [227]. Over 7.3m long by 2–2.5m wide and up to 1.2m deep. Steep sides, flat base. The S edge suggests that it turns right angle to the SE at the E end.
163	Middle	VOID	Replaced by 196–199, 208
164	Middle	230	Rectilinear pit aligned NW-SE. Cuts into SW terminal of [162], truncated by building foundations to the SE. Over 1m NW-SE, up to 1.45 m wide and 0.75m deep. Near vertical sides, flat undulating base.
165	Middle	175	Upper fill in [164]. Mid grey-brown silty clay with frequent charcoal flecks and occasional medieval pot and bone fragments. Uniform upper fill in pit, possibly backfill of partly infilled pit.
166	Middle	157	Linear cut aligned NE-SW, truncated by [180] and modern pit to the NE, rounded terminal to the SW. Over 5.5m long, 0.6 to 0.8m wide by 0.4m deep. Shallower at the SW end (0.15m), deeper towards the NE. Possibly dug in segments as a marked step in the base was exposed in the middle slot.
167	Middle	166	Mid grey-brown clayey silt with occasional stones and regular flecks of charcoal. Gently curved laminations indicate gradual infill of the gully. Contained bone, burnt slate and medieval pot sherds.
168	Middle	157	Dark grey-brown clayey silt deposit at SW edge of site. Buried ground surface?
169	Middle	170	Fill of [170]. Mid grey-brown sandy silt containing some small sub-angular stones and occasional charcoal flecks. Uniform fill, no sign of laminations. Contained fragments of medieval and post-medieval pot.
170	Middle	157	Linear cut aligned NW-SE, truncated by modern cut the SE, extends beyond site edge to the NW. Exposed over a distance of 2.75m, 0.8 to 1.15m wide by 0.15m to 0.3m deep. Shallower at the NE end. Slightly asymmetric profile with a steeper E side and more gently sloping W side. Slightly concave base.
171	Middle	172	Fill of [172]. Orange brown clayey silt with occasional flecks of charcoal.
172	Middle	168	Small oval pit truncated by linear cut [174] to the SE. 0.75m by 0.5m by 0.15m deep.
173	Middle	174	Fill of [174]. Mottled orange grey sandy silt with patches of gravel, modern material and occasional fist size stones. Organic material at base of cut, possibly decayed wood.
174	Middle	171	Linear cut aligned NE-SW, truncated by modern pit to the NE, extends beyond site edge to the SW. Exposed over a distance of 1.1m, 0.3m wide and 0.2m deep.
175	Middle	176	Fill in [164]. Orange brown silty clay. Slopes in from the sides of the cut. Indicate episode of sedimentation in a partly infilled pit.
176	Middle	164	Basal fill in [164]. Mid grey silty clay with occasional small stones and medieval pot sherds.
177	Middle	177	Fill in [164]. Mid grey silty clay with occasional charcoal flecks.
178	—	VOID	Not allocated
179	—	VOID	Not allocated

CONTEXT	AREA	OVER	DESCRIPTION
180	Middle	162	Sub-circular pit, 2m in diameter, 0.6m deep. Nearly vertical sides, flat undulating base.
181	Middle	183	Fill in [180]. Mid brown silty clay. Deposited up against E side of pit. Likely to represent material dumped into the pit from the E side.
182	—	VOID	Not allocated
183	Middle	180	Basal fill in [180]. Grey silty clay with some small stones, slag fragments and medieval pot sherds. Primary deposit at base of pit up to 0.1m deep.
184	Middle	181	Fill in [180]. Mid grey silty clay. Contains charcoal flecks, small stones, slag, metal waste and medieval pot. Appears to be material dumped into the pit from the E side on top of 181.
185	Middle	184	Fill in [180]. Mid brown silty clay. Contains medieval pot sherds. A densely packed group of five sub-angular stones up to 0.2m across was exposed at the top of the fill - thought to be a random group and not a built feature.
186	Middle	185	Fill in [180]. Mid grey-brown silty clay. Appears to be material dumped on top of 185 from the W side of the pit.
187	Middle	157	Mid reddish brown clayey silt on E edge of site. Buried ground surface/ B-horizon?
188	—	VOID	Not allocated
189	Middle	—	Abandoned. Fill of burrow.
190	Middle	—	Abandoned. Burrow.
191	Middle	192	Upper fill in [225]=[162]. Mid grey silty clay up to 0.15m deep. Contains charcoal flecks, small stones and medieval pot sherds. Located in the middle of the section, does not extend to the edge of the cut.
192	Middle	193	Fill in [225]=[162]. Light brown silty sand up to 0.3m deep. Contains charcoal flecks, small stones and medieval pot sherds. Extends across the full width of the cut.
193	Middle	194, 195	Fill in [225]=[162]. Mid grey silty clay up to 0.4m deep. Contains charcoal flecks, occasional stones < 10cm and medieval pot sherds. Likely to represent rapid backfill. Extends across the full width of the cut.
194	Middle	195	Fill in [225]=[162]. Mid orange brown silty clay up to 0.4m deep. Contains medieval pot sherds. Deposited up against the N edge of the cut. Likely to represent rapid infill from the N side of the pit.
195	Middle	225	Fill in [225]=[162]. Mottled dark grey and brown clayey silt up to 0.4m deep. Contains charcoal, small stones and medieval pot sherds. Basal deposit in the pit.
196	Middle	197	Upper fill in [162]. Mid grey-brown gritty clayey silt up to 0.4m deep. Contains charcoal flecks, occasional stones and medieval pot sherds. Possibly same as (191).
197	Middle	198	Fill in [162]. Mid to dark orange gritty clayey silt up to 0.4m deep. Contains occasional charcoal flecks. Very homogenous and similar to (196) and (208) above and below. Appears to be rapid infill from the N side of the pit.

CONTEXT	AREA	OVER	DESCRIPTION
198	Middle	199, 208	Fill in [162]. Mid brownish grey clayey silt up to 0.12m deep. Contains occasional charcoal flecks. Lens of compact darker material at base of (197). One of several tipped layers within the pit.
199	Middle	162	Basal fill in [162]. Mid to dark brownish grey clayey silt up to 0.25m deep. Contains occasional small stones, flecks of charcoal and medieval pot sherds. Similar to (195) and likely to be a dumped deposit.
200	Middle	201	Upper fill in [204]. Mid orange brown clayey silt up to 0.25 m deep. Contains occasional medium sized stones.
201	Middle	202	Fill in [204]. Mid grey-brown clayey silt up to 0.3m deep. Contains small to medium stones, charcoal flecks and medieval pot sherds. Deposited up against N side of the cut and is therefore likely to represent material dumped into the pit from the N.
202	Middle	203	Fill in [204]. Light brown silty clay up to 0.15m deep. Contains small stones and medieval pot sherds. Thicker towards the truncated S side of the pit and is therefore likely to represent material dumped into the pit from the S.
203	Middle	204	Basal fill in [204]. Mid to dark orange brown clayey silt up to 0.15m deep. Contains small to medium stones and medieval pot sherds.
204	Middle	161	Large pit truncated to the SE by [162] and to the E by [207]. Truncates [160] to the N. Measures some 2.3 m EW by over 1.7m NS and is up to 0.55m deep. Is part of a complex of at least four intercutting pits containing medieval pottery.
205	Middle	161	Mod orange brown fine sand. Small deposit along N edge of pit [160]. Likely to represent slumped material rather than intentional backfill.
206	Middle	207	Fill of [207]. Dark grey brown sand containing small stones, occasional charcoal flecks and medieval pot sherds. Single fill representing rapid backfill of cut.
207	Middle	196	Elongated cut aligned NW-SW. Truncated to the SE by modern foundation cut. Extends 2.3m NW to SE by 1.3m wide and 0.3m deep. Truncates pit [162] to the SW.
208	Middle	199	Fill in [162]. Mixed greyish to orange brown gritty clayey silt up to 0.25m deep. Contains occasional small to medium stones, flecks of charcoal and medieval pot sherds. One of several dumped deposits in pit [162].
209	Middle	210, 220	Fill in [154]. Wedge of sand accumulated up against the SW side of the cut indicating that it represents sand eroding into the cut from the SW. Up to 0.2m deep. Contained one medieval pot sherd.
210	Middle	220, 221	Fill in [154]. Mottled grey sand containing charcoal flecks and medieval pot sherds. Deposited from the NE side of the cut. Up to 0.2m deep.
211	Middle	212	Fill in [154]. Mixed deposit comprising mid brown sandy clay with light pink bands. Contains small stones, charcoal and medieval pot sherds. Extends across the full width of the pit but is deepest against the NE side (0.3m).
212	Middle	222	Fill in [154]. Dark brown silty clay with charcoal flecks, small stones and medieval pot sherds. Extends across the full width of the pit but is deepest against the SW side (0.2m).

CONTEXT	AREA	OVER	DESCRIPTION	CONTEXT	AREA	OVER	DESCRIPTION
213	Middle	154	Basal fill in [154]. Orange brown sand, up to 0.2m deep. Contains some small stones and medieval pot sherds.	233	Middle	234	Fill in [223]=[162]. Mid brown silty sand containing occasional stones and medieval pot. Primary dumped deposit within the cut.
214	Middle	215	Upper fill in [204] recorded in slot to the W. Dark grey silty clay with charcoal flecks and small stones. Up to 0.1m deep.	234	Middle	162	Basal deposit in [223]=[162]. Pure orange brown silty sand. Appear to represent redeposited natural sand accumulating at the base of the cut immediately after it has been dug and before dumping of midden material into the pit.
215	Middle	217, 218	Fill in [204] recorded in slot to the W. Homogenous reddish brown silty clay with occasional stones. Up to 0.45m deep. Same as (200)?	235–240	—	VOID	Not allocated
216	Middle	—	Same as [204]	241	NE	242	Tarmac
217	Middle	204	Fill in [204] recorded in slot to the W. Pure yellowish brown sandy silt containing some small stones. Deposited up against the NE side of the cut. Appears to represent collapsed material from the side of the cut.	242	NE	244, 245	Modern gravel (type 1). Levelling deposit up to 0.15m thick below the tarmac.
218	Middle	204	Basal fill in [204] recorded in slot to the W. Mid grey clayey silt containing small stones and charcoal flecks.	243	NE	247	Grey sandy gravel, 0.6m to over 1.6m deep. Contains stones, mortar, brick fragments. Made ground.
219	Middle	209, 210	Fill in [154]. Reddish brown organic silty clay. Concave lens up to 0.1m deep in NE half of the section. Contains small stones and medieval pot sherds.	244	NE	243	Dark grey fine sand. Garden soil re-deposited on top of underlying rubble.
220	Middle	220	Fill in [154]. Wedge of grey brown silty sand with some small stones up against the SW side of the cut.	245	NE	248	Mortared stone walls defining the NW corner of a building located near the NE corner of current building. The walls are built from roughly dressed stone and are 0.45m wide and up to 1.2m high. The wall of the current building is built directly on top of the W part of [245]. The location of the walls coincides with a building depicted on the 1st edition OS-map from 1858.
221	Middle	211	Fill in [154]. Band of dark brown organic clayey silt up to 0.06m thick. Extends across the full width of the cut. Contains charcoal and medieval pot sherds.	246	NE	—	Door or window opening in the N part of [245]. The feature could only be partly exposed due to H&S. The opening is 0.55m wide and over 0.45 m high and is located 1m from the NW corner of the building. The top of the opening is spanned by external and internal sandstone lintels over 0.6m long 0.35m high and 0.18 cm wide, with a 8cm wide gap between the two lintels.
222	Middle	213	Fill in [154]. Mid grey brown silty clay containing small stones and medieval pot sherds.	247	NE	249	Stone wall aligned NE-SW. The wall is keyed into the NW corner of [245]. It is 5.6m long, 0.45m wide and over 1.3m high. The wall is truncated at the NE end and there is a marked dog-leg in the wall line some 3m from the SW end possibly caused by the bedrock topography. The wall is depicted on the 1st edition OS-map from 1858 being some 9m long with a dog-leg in the middle forming a 1.8m wide passage leading up to a door to the SW leading into open ground on the SE side of the bank building.
223	Middle	187	Part of cut [162] recorded in the slot to the SW. Near vertical sides, flat undulating base. 1.9m wide by 1.2m deep.	248	NE	252	Foundation cut along the NW side of walls [245] and [247]. 2.9m long by 0.4 to 0.5m wide. Not excavated.
224	Middle	VOID	Same as (161).	249	NE	248	Fill of [248]. Light grey mixed sand with some stones and lumps of mortar.
225	Middle	187	Cut of [162] as recorded in the middle slot. Steep and stepped sides, flat base. 2.5m wide by 1.1m deep.	250	NE	243	Post-hole exposed in the edge of trench at the SW corner. 0.4m wide by 0.5m deep, near vertical sides, asymmetric pointed base. Cut through made ground (243).
226	Middle	227	Single fill in [227]. Mottled grey-brown silty clay with containing charcoal flecks, occasional medium stones and medieval pot sherds.	251	NE	250	Fill of [250]. Mixed grey sandy gravel, containing stones and mortar, similar to (243)
227	Middle	192, 197, 215	Sub-oval cut aligned E-W. 1.9m by 0.9m by up to 0.5m deep. Steep to sloping sides, rounded base. Truncated by modern pit to the W. Cuts into the top of pit [162].	252	NE	—	Dark orange brown sand. Geological sub-soil. Exposed at the SW corner of the trench.
228	—	VOID	Not allocated	253	NE	245, 247	Deposit of mortar and loose vacuous stones up to 0.4m across on the NE side of [247]. Demolition rubble.
229	Middle	230	Upper fill in [223]=[162]. Mid grey silty clay with small stones and charcoal flecks. Contains medieval pot sherds. Up to 0.2m deep. Very similar to and probably the same as (191) in the slot ([225]) some 2m to the NE.				
230	Middle	232	Fill in [223]=[162]. Orange brown silty clay with occasional stones. Up to 0.7m deep.				
231	Middle		Fill in [223]=[162]. Wedge of Orange brown silty clay with occasional stones. Likely to represent deposit of sand eroding from the NW side of the cut during the deposition of (230).				
232	Middle	233	Fill in [223]=[162]. Mottled grey and brown silty clay containing charcoal flecks, small stones and medieval pot sherds.				

CONTEXT	AREA	OVER	DESCRIPTION
254	NE	—	Mortared stone wall aligned NE-SW exposed in the edge of the trench to the NW. Made from squared stone blocks. Only the part of the SE face exposed. The wall was 0.45m wide, over 2.2m high and exposed over a distance of 5.7m. The wall is depicted on the 1st edition OS-map from 1858, enclosing the forecourt in front of the bank.
255	Inside	—	NE wall of current building below floor level aligned NW to SE. Stone wall 0.75m wide built from square blocks up to 0.3 by 0.5m. The wall has a rubble core between an outer and inner mortared face. Bricks are used to level off upper ledge that supported the floor joists.
256	Inside	—	SW wall of current building below floor level aligned NW to SE. Stone wall 0.75m wide built from square sandstone blocks up to 0.3 by 0.5m. The wall has a rubble core between an outer and inner mortared face. Bricks are used to level off upper ledge that supported the floor joists.
257	Inside	—	Rectangular pattern of mortared stone walls 0.45m wide on a NW-SE and NE-SW alignment. The walls are built from a mixture of bricks, rounded and squared stones and were constructed to support the floor joists of the current building.
258	Inside	—	Cut for modern pipe excavated around 2007. The current trench runs along this cut as the pipe has to be replaced in a wider and deeper cut.
259	Inside	—	Dry loose dusty rubble with stones, mortar and wood fragments. Demolition rubble below the floor of the current building.
260	Inside	265	Roughly mortared surface 1.45m below the floor joists of the current building. Partly exposed along the entire length of the trench. Built up against wall [256]. Floor of a low cellar under the current building.
261	Inside	262, 267	Thin crumbly mortared surface resting on wall [262] and soil (266). Truncated by modern trench [258]. Runs over the top of wall [264]. Bricks are used as base for the surface in places. Extends for over 4.3m along the NE part of the area.
262	Inside	267	Wall footings aligned NW to SE built from mortared roughly squared stone blocks. It is 0.35m wide, up to 0.35m high and appears to be keyed into wall [264] to the NW.
263	Inside	267	Mortared stone wall footings aligned NW to SE and 0.48m wide, built from stone blocks. Mortared floor surface [261] abuts the NE side of the wall.
264	Inside	267	Mortared stone wall aligned NE-SW, running along excavation trench, 0.45m wide. Truncated to the NE and SW. Covered by mortared floor surfaces [260] and [261].
265	Inside	268	Dark grey brown silty sand containing pieces of mortar and coal, up to 0.25m deep. Exposed to the SE of wall [264] in the S half of the trench. Buried ground horizon? Same as (267).
266	Inside	VOID	Same as (265)
267	Inside	268	Dark grey brown silty sand containing pieces of mortar and coal at top of deposit. Exposed to the SE of wall [264] in the N half of the trench. Buried ground horizon? Same as (265).
268	Inside	271	Light grey brown silty sand containing small coal fragments, occasional stones and medieval pot sherds. Appears to be in situ and not re-deposited.

CONTEXT	AREA	OVER	DESCRIPTION
269	Inside	270	Mortared stone wall running parallel with and along the inside of wall [256]. The wall is 0.8m wide and constructed with an outer and inner mortared face and partly hollow middle. The wall was only seen in the sides of the pipe trench and the junction between wall [264] and [269] was not seen. However based on the levels of the two walls they are likely to be part of the same structure.
270	Inside	265	Foundation cut for wall [269] seen in the sides of the pipe trench. Only the NE side of the cut was preserved, the other side was removed by the construction of wall [256].
271	Inside	—	Mid brown silty sand. Natural homogenous sand deposit above bedrock.
272	SW	—	Mortared stone wall aligned NNE-SSW, roughly at right angle to the trench. It was 0.55m wide by 0.8m high and built from squared stone blocks.
273	SW	274, 275	Tarmac. 0.05 to 0.1m thick
274	SW	276	Levelling deposit/ base for tarmac. Type 1 gravel. 0.1 to 0.3m thick
275	SW	276	Cobbled surface exposed towards NE end of trench. Single layer of rounded stones, 0.1 to 0.3m across.
276	SW	277	Mixed compact silty sand, 0.25 to 0.6m thick.
277	SW	278	Grey brown loose silty sand. Generally 0.1m thick, but up to 0.4m thick towards the NE end of trench.
278	SW	—	Natural subsoil. Light orange compact sand
279	SW	—	Fill of pit [280]. Dark grey silty sand with charcoal
280	SW	—	Pit. Curving sides, rounded base. Extends 1m along section and is 0.3m deep.
281	SW	—	Fill of pit [282]. Mid brown silty sand with charcoal. Banded with orange sands towards the base indication several episodes of infill.
282	SW	—	Pit. Sloping sides, flattish uneven base. Extends 1.8m along section and is up to 0.6m deep.
283–300	—	VOID	Not allocated
301	—	—	Mortared wall aligned E-W. The wall is 0.7m wide and survives up to 0.26m high. It was exposed over a distance of 0.6m. The basal course on the N side comprises a dressed yellow sandstone 0.18m high and over 0.6m long. The S side comprises a mixture of bricks and smaller sandstones. The wall sits on a foundation that extends beyond the wall faces, 0.06m to the N and 0.16m to the S. The total height of the wall and its foundation is 0.42m. The top of the wall is 0.28m below the current surface.
302	—	—	Masonry comprising mortared irregular shaped stones 0.25m to 0.5m across on the S side, with bricks and brick fragments set in concrete to the N. The masonry is not part of a wall but looks to have formed the foundation of a structure, extending 1.75m to 2.05m along the trench. At the S end the upper irregular masonry extended beyond the line of what may be the S side of a wall aligned E-W parallel with and 2.4m to the S of wall [301]. Only the upper part of the masonry was removed during the trenching.

Appendix 1.2 Photo register

CP = Colour print; CS Colour slide

PHOTO	CP	CS	DIGITAL FILE NAME	FACING	JOB PHASE	DESCRIPTION
001	Y	Y	—	—	WB 02/10/09	WB boreholes. Detailed shot of borehole 2
002	Y	Y	—	—	WB 02/10/09	WB boreholes. Detailed shot of borehole 3
003	Y	Y	—	NE	WB 02/10/09	WB boreholes. View towards location of borehole 1
004	Y	Y	—	NE	WB 02/10/09	WB boreholes. General view along NW side of property and location of borehole 1
005	—	—	GHSS08-005.jpeg	WNW	WB 15/03/10	WB SE area. Spur 1. Drainage trench up to outer wall of SE wing.
006	—	—	GHSS08-006.jpeg	NW	WB 15/03/10	WB SE area. Spur 1. Drainage trench up to outer wall of SE wing.
007	—	—	GHSS08-007.jpeg	NE	WB 15/03/10	WB SE area. Spur 2. Drainage trench up to outer wall of SE wing.
008	—	—	GHSS08-008.jpeg	N	WB 15/03/10	WB SE area. Spur 2. Drainage trench up to outer wall of SE wing.
009	—	—	GHSS08-009.jpeg	NE	WB 15/03/10	WB SE area. Spur 3. Drainage trench up to outer wall of SE wing.
010	—	—	GHSS08-010.jpeg	NW	WB 15/03/10	WB SE area. Spur 3. Drainage trench up to outer wall of SE wing.
011	—	—	GHSS08-011.jpeg	SW	WB 15/03/10	WB SE area. View towards SW end of main drainage trench along SE wing.
012	—	—	GHSS08-012.jpeg	SW	WB 15/03/10	WB SE area. View towards SW end of main drainage trench along SE wing.
013	—	—	GHSS08-013.jpeg	W	WB 15/03/10	WB SE area. SE-facing section of SW end of main drainage trench along SE wing.
014	—	—	GHSS08-014.jpeg	NE	WB 15/03/10	WB SE area. View along SW part of main drainage trench along SE wing.
015	—	—	GHSS08-015.jpeg	WSW	WB 15/03/10	WB SE area. View towards SW end of main drainage trench and Spur 3 along SE wing.
016	—	—	GHSS08-016.jpeg	SW	WB 15/03/10	WB SE area. View towards SW end of main drainage trench and Spur 3 along SE wing.
017	—	—	GHSS08-017.jpeg	W	WB 15/03/10	WB SE area. Spur 2. Drainage trench up to outer wall of SE wing.
018	—	—	GHSS08-018.jpeg	SW	WB 15/03/10	WB SE area. View along of main drainage trench outside SE wing.
019	—	—	GHSS08-019.jpeg	NNE	WB 15/03/10	WB SE area. View towards NE end of main drainage trench outside wing.
020	—	—	GHSS08-020.jpeg	SW	WB 15/03/10	WB SE area. View along the full length of main drainage trench outside SE wing.

PHOTO	CP	CS	DIGITAL FILE NAME	FACING	JOB PHASE	DESCRIPTION
021	—	—	GHSS08-021.jpeg	SW	WB 15/03/10	WB SE area. View along the full length of main drainage trench outside SE wing.
022	—	Y	GHSS08-022.jpeg	NE	WB 15/04/10	WB SE area. NE end of main drainage trench against SW wall of NE wing.
023	—	Y	GHSS08-023.jpeg	E	WB 15/04/10	WB SE area. NW facing section at NE end of main drainage trench.
024	—	—	GHSS08-024.jpeg	E	WB 15/04/10	WB SE area. Detail of NW facing section at NE end of trench showing human bones
025	—	Y	GHSS08-025.jpeg	E	WB 15/04/10	WB SE area. Detail of NW facing section at NE end of trench showing human bones
026	—	—	GHSS08-026.jpeg	E	WB 15/04/10	WB SE area. Detail of NW facing section at NE end of trench showing human bones
027	—	—	GHSS08-027.jpeg	E	WB 15/04/10	WB SE area. Detail of NW facing section at NE end of trench showing human bones
028	—	—	GHSS08-028.jpeg	E	WB 15/04/10	WB SE area. Detail of NW facing section at NE end of trench showing human bones
029	—	—	GHSS08-029.jpeg	E	WB 15/04/10	WB SE area. Detail of human bones in section with rectification points
030	—	—	GHSS08-030.jpeg	E	WB 15/04/10	WB SE area. Detail of human bones in section with rectification points
031	—	—	GHSS08-031.jpeg	E	WB 15/04/10	WB SE area. Detail of human bones in section with rectification points
032	—	—	GHSS08-032.jpeg	E	WB 15/04/10	WB SE area. Detail of human bones in section with rectification points
033	—	—	GHSS08-033.jpeg	SE	WB 15/04/10	WB SE area. View along SW wall towards NE end of main drainage trench
034	—	—	GHSS08-034.jpeg	ENE	WB 15/04/10	WB SE area. NE end of main drainage trench against SW wall of NE wing.
035	—	—	GHSS08-035.jpeg	NE	WB 15/04/10	WB SE area. View towards NE end of main drainage trench against SW wall of NE wing.
036	—	—	GHSS08-036.jpeg	NE	WB 15/04/10	WB SE area. View along main drainage trench.
037	—	—	GHSS08-037.jpeg	NE	WB 15/04/10	WB SE area. View along main drainage trench.
038	—	—	GHSS08-038.jpeg	SSE	WB 15/04/10	WB SE area. Exterior of nurses house
039	—	—	GHSS08-039.jpeg	ESE	WB 15/04/10	WB SE area. View along south exterior of nurses house
040	—	—	GHSS08-040.jpeg	ESE	WB 15/04/10	WB SE area. View along south exterior of nurses house

PHOTO	CP	CS	DIGITAL FILE NAME	FACING	JOB PHASE	DESCRIPTION	PHOTO	CP	CS	DIGITAL FILE NAME	FACING	JOB PHASE	DESCRIPTION
041	--	--	GHSS08-041.jpeg	SSW	WB 15/04/10	WB SE area. Exterior of nurses house	064	--	Y	GHSS08-064.jpeg	NE	EXC 06-07/10	Area 3C. Features exposed after initial clean-up
042	--	--	GHSS08-042.jpeg	SW	WB 15/04/10	WB SE area. Nurses house. Interior	065	--	--	GHSS08-065.jpeg	NE	EXC 06-07/10	Area 3C. Features exposed after initial clean-up
043	--	--	GHSS08-043.jpeg	NE	WB 15/04/10	WB SE area. Nurses house. Interior	066	--	--	GHSS08-066.jpeg	NE	EXC 06-07/10	Area 3C. Features exposed after initial clean-up
044	--	--	GHSS08-044.jpeg	SW	WB 15/04/10	WB SE area. Nurses house. Interior	067	--	Y	GHSS08-067.jpeg	SE	EXC 06-07/10	Area 3C. Features exposed after initial clean-up
045	--	--	GHSS08-045.jpeg	SSE	WB 15/04/10	WB SE area. Nurses house. Interior	068	--	Y	GHSS08-068.jpeg	SE	EXC 06-07/10	Area 3C. Features exposed after initial clean-up
046	--	--	GHSS08-046.jpeg	WNW	WB 15/04/10	WB SE area. Nurses house. Interior	069	--	--	GHSS08-069.jpeg	SE	EXC 06-07/10	Area 3C. Features exposed after initial clean-up
047	--	--	GHSS08-047.jpeg	SSE	WB 15/04/10	WB SE area. Exterior of nurses house	070	--	--	GHSS08-070.jpeg	SE	EXC 06-07/10	Area 3C. Features exposed after initial clean-up
048	--	--	GHSS08-048.jpeg	SW	WB 15/04/10	WB SE area. Exterior of nurses house	071	--	--	GHSS08-071.jpeg	SE	EXC 06-07/10	Area 3C. Features exposed after initial clean-up
049	--	--	GHSS08-049.jpeg	NW	WB 15/04/10	WB SE area. View along south exterior of nurses house	072	--	Y	GHSS08-072.jpeg	SW	EXC 06-07/10	Area 3C. Features exposed after initial clean-up
050	--	--	GHSS08-050.jpeg	NW	WB 15/04/10	WB SE area. View along south exterior of nurses house	073	--	Y	GHSS08-073.jpeg	SW	EXC 06-07/10	Area 3C. Features exposed after initial clean-up
051	--	--	GHSS08-051.jpeg	NE	WB 15/04/10	WB SE area. General view along SE side of site	074	--	Y	GHSS08-074.jpeg	SW	EXC 06-07/10	Area 3C. Features exposed after initial clean-up
052	--	--	GHSS08-052.jpeg	SW	WB 15/04/10	WB SE area. Exterior of nurses house	075	--	--	GHSS08-075.jpeg	SW	EXC 06-07/10	Area 3C. Features exposed after initial clean-up
053	--	--	GHSS08-053.jpeg	SE	WB 15/04/10	WB SE area. Exterior of nurses house	076	--	--	GHSS08-076.jpeg	SW	EXC 06-07/10	Area 3C. Features exposed after initial clean-up
054	--	--	GHSS08-054.jpeg	SE	WB 15/04/10	WB SE area. Exterior of nurses house	077	--	--	GHSS08-077.jpeg	SW	EXC 06-07/10	Area 3C. Features exposed after initial clean-up
055	--	--	GHSS08-055.jpeg	SSE	WB 15/04/10	WB SE area. Hotel frontage	078	--	--	GHSS08-078.jpeg	SW	EXC 06-07/10	Area 3C. Features exposed after initial clean-up
056	--	--	GHSS08-056.jpeg	SSE	WB 15/04/10	WB SE area. Hotel frontage	079	--	Y	GHSS08-079.jpeg	NW	EXC 06-07/10	Area 3C. Features exposed after initial clean-up
057	--	--	GHSS08-057.jpeg	ESE	WB 15/04/10	WB SE area. NE end of main drainage trench with burial covered over	080	--	--	GHSS08-080.jpeg	NW	EXC 06-07/10	Area 3C. Features exposed after initial clean-up
058	--	--	GHSS08-058.jpeg	SW	WB 28/04/10	WB SE area. Low stone revetment on SE side of building	081	--	--	GHSS08-081.jpeg	NW	EXC 06-07/10	Area 3C. Features exposed after initial clean-up
059	--	--	GHSS08-059.jpeg	NE	WB 28/04/10	WB SE area. View towards NE end of 'rainwater trench'.	082	--	Y	GHSS08-082.jpeg	NW	EXC 06-07/10	Area 3C. Square pit [164] along SE side of area. Initial clean-up
060	--	--	GHSS08-060.jpeg	NE	WB 28/04/10	WB SE area. NE end of rainwater trench.	083	--	--	GHSS08-083.jpeg	NW	EXC 06-07/10	Area 3C. Square pit [164] along SE side of area. Initial clean-up
061	Y	Y	--	NE	WB 01/06/10	WB middle. Demolition of NW wing	084	--	Y	GHSS08-084.jpeg	SE	EXC 06-07/10	Area 3B. Ditch [170] pre-ex
062	Y	Y	--	NNW	WB 01/06/10	WB middle. Exposed section behind NW wall of demolished building	085	--	--	GHSS08-085.jpeg	SE	EXC 06-07/10	Area 3B. Ditch [170] pre-ex
063	--	Y	GHSS08-063.jpeg	NE	EXC 06-07/10	Area 3C. Features exposed after initial clean-up	086	--	--	GHSS08-086.jpeg	SE	EXC 06-07/10	Area 3B. Ditch [170] pre-ex

PHOTO	CP	CS	DIGITAL FILE NAME	FACING	JOB PHASE	DESCRIPTION
087	-	Y	GHSS08-087.jpeg	NE	EXC 06-07/10	Area 3B with ditch [170] in foreground, Area 3C with inter-cutting pits in the background
088	-	-	GHSS08-088.jpeg	NE	EXC 06-07/10	Area 3B with ditch [170] in foreground, Area 3C with inter-cutting pits in the background
089	-	Y	GHSS08-089.jpeg	NW	EXC 06-07/10	Area 3B. Ditch [170] pre-ex
090	-	-	GHSS08-090.jpeg	NW	EXC 06-07/10	Area 3B. Ditch [170] pre-ex
091	-	Y	GHSS08-091.jpeg	NW	EXC 06-07/10	Area 3B. Slots through ditch [170]
092	-	Y	GHSS08-092.jpeg	SE	EXC 06-07/10	Area 3B. Slots through ditch [170]
093	-	-	GHSS08-093.jpeg	SE	EXC 06-07/10	Area 3B. Slots through ditch [170]
094	-	Y	GHSS08-094.jpeg	NE	EXC 06-07/10	Area 3B with ditch [170] in foreground, Area 3C with inter-cutting pits in the background
095	-	-	GHSS08-095.jpeg	NE	EXC 06-07/10	Area 3B with ditch [170] in foreground, Area 3C with inter-cutting pits in the background
096	-	Y	GHSS08-096.jpeg	NW	EXC 06-07/10	Area 3B. Section across ditch [170]
097	-	Y	GHSS08-097.jpeg	NW	EXC 06-07/10	Area 3B. Section across ditch [170]
098	-	Y	GHSS08-098.jpeg	SE	EXC 06-07/10	Area 3B. Slots through ditch [170]
099	-	-	GHSS08-099.jpeg	SE	EXC 06-07/10	Area 3B. Slots through ditch [170]
100	-	Y	GHSS08-100.jpeg	NW	EXC 06-07/10	Area 3A. Well [154] exposed in site edge
101	-	-	GHSS08-101.jpeg	NW	EXC 06-07/10	Area 3A. Well [154] exposed in site edge
102	-	Y	GHSS08-102.jpeg	NW	EXC 06-07/10	Area 3A. Well [154] exposed in site edge
103	-	-	GHSS08-103.jpeg	NW	EXC 06-07/10	Area 3A. Well [154] exposed in site edge
104	-	Y	GHSS08-104.jpeg	SE	EXC 06-07/10	Area 3A. Top of well [154], cut by modern pipe trench
105	-	-	GHSS08-105.jpeg	SE	EXC 06-07/10	Area 3A. Top of well [154], cut by modern pipe trench
106	-	-	GHSS08-106.jpeg	SE	EXC 06-07/10	Area 3A. Top of well [154], cut by modern pipe trench
107	-	Y	GHSS08-107.jpeg	SE	EXC 06-07/10	Area 3C. Pit [164] half sectioned
108	-	-	GHSS08-108.jpeg	SE	EXC 06-07/10	Area 3C. Pit [164] half sectioned

PHOTO	CP	CS	DIGITAL FILE NAME	FACING	JOB PHASE	DESCRIPTION
109	-	Y	GHSS08-109.jpeg	SW	EXC 06-07/10	Area 3C. NE facing section of slot through pit [223]
110	-	Y	GHSS08-110.jpeg	NE	EXC 06-07/10	Area 3C. Small group of stones within fill (181) in pit [180]
111	-	-	GHSS08-111.jpeg	NE	EXC 06-07/10	Area 3C. Small group of stones within fill (181) in pit [180]
112	-	Y	GHSS08-112.jpeg	SW	EXC 06-07/10	Area 3C. Ditch [166] and pit [172] cut by slot [174] in SE part of site
113	-	-	GHSS08-113.jpeg	SW	EXC 06-07/10	Area 3C. Ditch [166] and pit [172] cut by slot [174] in SE part of site
114	-	Y	GHSS08-114.jpeg	S	EXC 06-07/10	Area 3C. Pit [180] half sectioned
115	-	-	GHSS08-115.jpeg	S	EXC 06-07/10	Area 3C. Pit [180] half sectioned
116	-	Y	GHSS08-116.jpeg	NE	EXC 06-07/10	Area 3C. Slots through ditch [166]
117	-	-	GHSS08-117.jpeg	NE	EXC 06-07/10	Area 3C. Slots through ditch [166]
118	-	Y	GHSS08-118.jpeg	NW	EXC 06-07/10	Area 3C. Section at S terminal(?) of ditch [166]
119	-	-	GHSS08-119.jpeg	NW	EXC 06-07/10	Area 3C. Section at S terminal(?) of ditch [166]
120	-	Y	GHSS08-120.jpeg	SE	EXC 06-07/10	Area 3C. Pit [172] cut by slot 174 partly excavated
121	-	-	GHSS08-121.jpeg	SE	EXC 06-07/10	Area 3C. Pit [172] cut by slot 174 partly excavated
122	-	Y	GHSS08-122.jpeg	NE	EXC 06-07/10	Area 3C. Two burrows on E side of area.
123	-	-	GHSS08-123.jpeg	NE	EXC 06-07/10	Area 3C. Two burrows on E side of area.
124	-	Y	GHSS08-124.jpeg	W	EXC 06-07/10	Area 3C. Group of stones within fill (181) in pit [180]
125	-	-	GHSS08-125.jpeg	W	EXC 06-07/10	Area 3C. Group of stones within fill (181) in pit [180]
126	-	Y	GHSS08-126.jpeg	N	EXC 06-07/10	Area 3A. S quadrant of well [154] excavated
127	-	Y	GHSS08-127.jpeg	N	EXC 06-07/10	Area 3A. S quadrant of well [154] excavated
128	-	Y	GHSS08-128.jpeg	N	EXC 06-07/10	Area 3A. S quadrant of well [154] excavated
129	-	-	GHSS08-129.jpeg	N	EXC 06-07/10	Area 3A. S quadrant of well [154] excavated
130	-	-	GHSS08-130.jpeg	N	EXC 06-07/10	Area 3A. S quadrant of well [154] excavated
131	-	-	GHSS08-131.jpeg	N	EXC 06-07/10	Area 3A. S quadrant of well [154] excavated

PHOTO	CP	CS	DIGITAL FILE NAME	FACING	JOB PHASE	DESCRIPTION	PHOTO	CP	CS	DIGITAL FILE NAME	FACING	JOB PHASE	DESCRIPTION
132	--	Y	GHSS08-132.jpeg	E	EXC 06-07/10	Area 3C. Stones at base of pit [180]	155	--	--	GHSS08-155.jpeg	NW	EXC 06-07/10	Area 3A. Well [154] half sectioned
133	--	--	GHSS08-133.jpeg	E	EXC 06-07/10	Area 3C. Stones at base of pit [180]	156	--	Y	GHSS08-156.jpeg	N	EXC 06-07/10	Area 3C. S-facing section of slot into pit [204]
134	--	Y	GHSS08-134.jpeg	W	EXC 06-07/10	Area 3C. E-facing section of slot across pits [160] and [162], N part	157	--	--	GHSS08-157.jpeg	N	EXC 06-07/10	Area 3C. S-facing section of slot into pit [204]
135	--	--	GHSS08-135.jpeg	W	EXC 06-07/10	Area 3C. E-facing section of slot across pits [160] and [162], N part	158	--	Y	GHSS08-158.jpeg	NW	EXC 06-07/10	Area 3A. Photo of monolith through the primary deposits of well [154]
136	--	Y	GHSS08-136.jpeg	W	EXC 06-07/10	Area 3C. E-facing section of slot across pits [160] and [162], S part	159	--	--	GHSS08-159.jpeg	NW	EXC 06-07/10	Area 3A. Photo of monolith through the primary deposits of well [154]
137	--	--	GHSS08-137.jpeg	W	EXC 06-07/10	Area 3C. E-facing section of slot across pits [160] and [162], S part	160	--	Y	GHSS08-160.jpeg	SW	EXC 06-07/10	Area 3C. NE facing section of slot through pit [223]
138	--	Y	GHSS08-138.jpeg	SW	EXC 06-07/10	Area 3C. NE-facing section of slot into pit [162]	161	--	--	GHSS08-161.jpeg	SW	EXC 06-07/10	Area 3C. NE facing section of slot through pit [223]
139	--	Y	GHSS08-139.jpeg	E	EXC 06-07/10	Area 3C. W-facing section of slot across pits [160] and [162], N part	162	--	Y	GHSS08-162.jpeg	E	EXC 06-07/10	Area 3C. SW facing section of slot through pit [225]
140	--	--	GHSS08-140.jpeg	E	EXC 06-07/10	Area 3C. W-facing section of slot across pits [160] and [162], N part	163	--	--	GHSS08-163.jpeg	E	EXC 06-07/10	Area 3C. SW facing section of slot through pit [225]
141	--	Y	GHSS08-141.jpeg	E	EXC 06-07/10	Area 3C. W-facing section of slot across pits [160] and [162], S part	164	--	Y	GHSS08-164.jpeg	N	EXC 06-07/10	Area 3C. SW facing section of slot through pit [225]
142	--	--	GHSS08-142.jpeg	E	EXC 06-07/10	Area 3C. W-facing section of slot across pits [160] and [162], S part	165	--	--	GHSS08-165.jpeg	N	EXC 06-07/10	Area 3C. SW facing section of slot through pit [225]
143	--	Y	GHSS08-143.jpeg	SE	EXC 06-07/10	Area 3C. NW-facing section of slot into cut [207]	166	--	Y	GHSS08-166.jpeg	NE	EXC 06-07/10	Area 3C. SW facing section of slot through pit [225], NW end
144	--	--	GHSS08-144.jpeg	SE	EXC 06-07/10	Area 3C. NW-facing section of slot into cut [207]	167	--	--	GHSS08-167.jpeg	NE	EXC 06-07/10	Area 3C. SW facing section of slot through pit [225], NW end
145	--	Y	GHSS08-145.jpeg	NW	EXC 06-07/10	Area 3A. Well [154] half sectioned, showing profile	168	--	--	GHSS08-168.jpeg	NE	EXC 06-07/10	Area 3C. SW facing section of slot through pit [225], NW end
146	--	--	GHSS08-146.jpeg	NW	EXC 06-07/10	Area 3A. Well [154] half sectioned, showing profile	169	--	Y	GHSS08-169.jpeg	NE	EXC 06-07/10	Area 3C. SW facing section of slot through pit [225], middle section
147	--	Y	GHSS08-147.jpeg	NW	EXC 06-07/10	Area 3A. Base of well [154]	170	--	--	GHSS08-170.jpeg	NE	EXC 06-07/10	Area 3C. SW facing section of slot through pit [225], middle section
148	--	--	GHSS08-148.jpeg	NW	EXC 06-07/10	Area 3A. Base of well [154]	171	--	Y	GHSS08-171.jpeg	NE	EXC 06-07/10	Area 3C. SW facing section of slot through pit [225], SE end
149	--	Y	GHSS08-149.jpeg	SE	EXC 06-07/10	Area 3A. Well [154] half sectioned, showing cut and base	172	--	--	GHSS08-172.jpeg	NE	EXC 06-07/10	Area 3C. SW facing section of slot through pit [225], SE end
150	--	Y	GHSS08-150.jpeg	SE	EXC 06-07/10	Area 3A. Well [154] half sectioned, showing cut and base	173	--	--	GHSS08-173.jpeg	NE	EXC 06-07/10	Area 3C. SW facing section of slot through pit [225], SE end
151	--	--	GHSS08-151.jpeg	SE	EXC 06-07/10	Area 3A. Well [154] half sectioned, showing cut and base	174	--	Y	GHSS08-174.jpeg	N	EXC 06-07/10	Area 3C. Segment of cross section of pit [225]
152	--	--	GHSS08-152.jpeg	SE	EXC 06-07/10	Area 3A. Well [154] half sectioned, showing cut and base	175	--	--	GHSS08-175.jpeg	N	EXC 06-07/10	Area 3C. Segment of cross section of pit [225]
153	--	--	GHSS08-153.jpeg	SE	EXC 06-07/10	Area 3A. Well [154] half sectioned, showing cut and base	176	--	Y	GHSS08-176.jpeg	N	EXC 06-07/10	Area 3C. Slots through pits [223] and [225]
154	--	Y	GHSS08-154.jpeg	NW	EXC 06-07/10	Area 3A. Well [154] half sectioned	177	--	--	GHSS08-177.jpeg	N	EXC 06-07/10	Area 3C. Slots through pits [223] and [225]

PHOTO	CP	CS	DIGITAL FILE NAME	FACING	JOB PHASE	DESCRIPTION	PHOTO	CP	CS	DIGITAL FILE NAME	FACING	JOB PHASE	DESCRIPTION
178	-	Y	GHSS08-178.jpeg	NW	EXC 06-07/10	Area 3C. Slots into pit [160]	201	Y	-	-	S	WB 07/02/13	WB N area. Test pit 4
179	-	-	GHSS08-179.jpeg	NW	EXC 06-07/10	Area 3C. Slots into pit [160]	202	Y	-	-	SW	WB 07/02/13	WB N area. Test pit 5
180	-	Y	GHSS08-180.jpeg	N	EXC 06-07/10	Area 3C. Slots through pits at NE corner of site	203	Y	-	-	S	WB 07/02/13	WB N area. Test pit 5
181	-	-	GHSS08-181.jpeg	N	EXC 06-07/10	Area 3C. Slots through pits at NE corner of site	204	Y	-	-	SW	WB 07/02/13	WB N area. Test pit 6
182	-	Y	GHSS08-182.jpeg	SW	EXC 06-07/10	Area 3C. Slots through features	205	Y	-	-	SW	WB 07/02/13	WB N area. Test pit 6
183	-	-	GHSS08-183.jpeg	SW	EXC 06-07/10	Area 3C. Slots through features along SE side of site	206	-	-	GHSS08-206.jpeg	S	WB 02/13	WB NE area. Working shot. Drainage work outside SE corner of building
184	-	Y	GHSS08-184.jpeg	NE	EXC 06-07/10	Area 3C. Slots through features along SE side of site	207	-	-	GHSS08-207.jpeg	SW	WB 02/13	WB NE area. Wall [245] with lintelled opening [246] to the left. In foreground wall [247]
185	-	-	GHSS08-185.jpeg	NE	EXC 06-07/10	Area 3C. Slots through features along SE side of site	208	-	-	GHSS08-208.jpeg	S	WB 02/13	WB NE area. Detail showing opening [246] in wall [245]
186	-	Y	GHSS08-186.jpeg	SE	EXC 06-07/10	Area 3C. Slots through features along SE side of site	209	-	-	GHSS08-209.jpeg	S	WB 02/13	WB NE area. Kink in wall [247]. Bedrock exposed to the right of the wall
187	-	-	GHSS08-187.jpeg	SE	EXC 06-07/10	Area 3C. Slots through features along SE side of site	210	-	-	GHSS08-210.jpeg	S	WB 02/13	WB NE area. Revetment wall [247] leading up to N corner of building (Wall [245])
188	-	Y	GHSS08-188.jpeg	E	EXC 06-07/10	Area 3C. Slots through features along SE side of site	211	-	-	GHSS08-211.jpeg	SW	WB 02/13	WB NE area. Kink in wall [247]. Bedrock exposed to the right of the wall
189	-	-	GHSS08-189.jpeg	E	EXC 06-07/10	Area 3C. Slots through features along SE side of site	212	-	-	GHSS08-212.jpeg	SW	WB 02/13	WB NE area. Revetment wall [247] leading up to N corner of building (Wall [245])
190	-	-	GHSS08-190.jpeg	N	EXC 06-07/10	Area 3A. Well [154] during excavation	213	-	-	GHSS08-213.jpeg	SW	WB 02/13	WB NE area. Revetment wall [247] leading up to N corner of building (Wall [245])
191	-	-	GHSS08-191.jpeg	NW	EXC 06-07/10	Area 3A. Well [154] first exposed in cutting	214	-	-	GHSS08-214.jpeg	SW	WB 02/13	WB NE area. Revetment wall [247] with fill (249) in cut [248] on the right side of the wall
192	-	-	GHSS08-192.jpeg	NW	EXC 06-07/10	Area 3A. Well [154] first exposed in cutting	215	-	-	GHSS08-215.jpeg	SW	WB 02/13	WB NE area. Revetment wall [247] with fill (249) in cut [248] on the right side of the wall
193	-	-	GHSS08-193.jpeg	NW	EXC 06-07/10	Area 3A. Well [154] first exposed in cutting	216	Y	Y	GHSS08-216.jpeg	S	WB 02/13	WB NE area. Revetment wall [247] leading up to N corner of building (Wall [245])
194	Y	-	-	WSW	WB 07/02/13	WB N area. Test pit 1	217	-	-	GHSS08-217.jpeg	S	WB 02/13	WB NE area. Revetment wall [247] leading up to N corner of building (Wall [245])
195	Y	-	-	SW	WB 07/02/13	WB N area. Test pit 1	218	Y	Y	GHSS08-218.jpeg	SW	WB 02/13	WB NE area. Revetment wall [247] leading up to N corner of building (Wall [245])
196	Y	-	-	SE	WB 07/02/13	WB N area. Test pit 2	219	Y	Y	GHSS08-219.jpeg	SW	WB 02/13	WB NE area. Fill (249) in cut [248] on the right side of wall [247]
197	Y	-	-	E	WB 07/02/13	WB N area. Test pit 2							
198	Y	-	-	SW	WB 07/02/13	WB N area. Test pit 3							
199	Y	-	-	S	WB 07/02/13	WB N area. Test pit 3							
200	Y	-	-	SW	WB 07/02/13	WB N area. Test pit 4							

PHOTO	CP	CS	DIGITAL FILE NAME	FACING	JOB PHASE	DESCRIPTION
220	Y	Y	GHSS08-220.jpeg	SSE	WB 02/13	WB NE area. Fill (249) in cut [248] on the right side of wall [247]
221	Y	Y	—	S	WB 02/13	WB NE area. Detail showing foundations of standing building built over wall [245]
222	Y	Y	GHSS08-222.jpeg	NW	WB 02/13	WB NE area. Cut [250] at SW corner of trench
223	Y	Y	—	SE	WB 02/13	WB NE area. Detail showing junction between wall [247] and N corner of building (wall [245])
224	Y	Y	—	NW	WB 02/13	WB NE area. Wall [247] and N corner of building (wall [245])
225	Y	Y	GHSS08-225.jpeg	SE	WB 02/13	WB NE area. Step in bedrock at kink in wall [247]
226	Y	Y	GHSS08-226.jpeg	S	WB 02/13	WB NE area. Truncated NE end of wall [247] built on bedrock to the right
227	Y	Y	GHSS08-227.jpeg	S	WB 02/13	WB NE area. Detail showing kink in wall [247] built up against step in bedrock
228	Y	Y	GHSS08-228.jpeg	SW	WB 02/13	WB NE area. NE wall [245] of building with opening [246]
229	Y	Y	GHSS08-229.jpeg	S	WB 02/13	WB NE area. Detail showing opening [246] in wall [245]
230	Y	Y	GHSS08-230.jpeg	W	WB 02/13	WB NE area. Detail showing SE side of kink in wall [247]
231	Y	—	GHSS08-231.jpeg	NW	WB 02/13	WB NE area. SE side of wall [247]. S end
232	—	Y	GHSS08-232.jpeg	NW	WB 02/13	WB NE area. SE side of wall [247]. N of 090
233	Y	—	GHSS08-233.jpeg	NW	WB 02/13	WB NE area. SE side of wall [247]. N of 091
234	—	Y	GHSS08-234.jpeg	NW	WB 02/13	WB NE area. SE side of wall [247]. N of 092
235	Y	Y	GHSS08-235.jpeg	NW	WB 02/13	WB NE area. SE side of wall [247]. N end
236	Y	Y	GHSS08-236.jpeg	SE	WB 02/13	WB NE area. NW side of wall [247] N end and wall [245] (to the right)
237	—	—	GHSS08-237.jpeg	SE	WB 02/13	WB NE area. NW side of wall [247] N of 098
238	Y	Y	GHSS08-238.jpeg	SE	WB 02/13	WB NE area. NW side of wall [247] N of 099
239	Y	Y	GHSS08-239.jpeg	SE	WB 02/13	WB NE area. NW side of wall [247]. N end
240	Y	Y	GHSS08-240.jpeg	N	WB 02/13	WB NE area. SE face of revetment wall [254] partly exposed
241	—	—	GHSS08-241.jpeg	S	WB 02/13	WB NE area. Detail showing opening [246] in wall [245]

PHOTO	CP	CS	DIGITAL FILE NAME	FACING	JOB PHASE	DESCRIPTION
242	Y	Y	GHSS08-242.jpeg	SE	WB 02/13	WB NE area. Wall [245] partly removed exposing outer and inner lintel in opening [246]
243	—	—	GHSS08-243.jpeg	SE	WB 02/13	WB NE area. Wall [245] partly removed exposing outer and inner lintel in opening [246]
244	Y	Y	—	S	WB 02/13	WB NE area. Wall [245] partly removed exposing outer and inner lintel in opening [246]
245	—	—	GHSS08-245.jpeg	SW	WB 02/13	WB NE area. Wall [245] partly removed exposing outer and inner lintel in opening [246]
246	—	—	GHSS08-246.jpeg	SE	WB 02/13	WB NE area. Wall [245] partly removed exposing outer and inner lintel in opening [246]
247	—	Y	—	N	WB 02/13	WB NE area. Section of revetment wall [254] partly removed on line of new drainage
248	—	Y	—	NW	WB 02/13	WB NE area. Section of revetment wall [254] partly removed on line of new drainage
249	—	Y	—	W	WB 02/13	WB NE area. Section of revetment wall [254] partly removed on line of new drainage
250	—	Y	—	NW	WB 02/13	WB NE area. Rising bedrock exposed on NW side of revetment wall [254]
251	—	Y	—	NW	WB 02/13	WB NE area. Rising bedrock exposed on NW side of revetment wall [254]
252	—	—	GHSS08-252.jpeg	NE	WB 03/13	WB NE area. Working shot. Area around wall [263]
253	—	—	GHSS08-253.jpeg	NE	WB 03/13	WB NE area. Working shot. View towards NE end of trench
254	—	—	GHSS08-254.jpeg	SW	WB 03/13	WB NE area. Working shot. View towards wall [262] and floor surface [261]
255	—	—	GHSS08-255.jpeg	SW	WB 03/13	WB NE area. Working shot. View towards wall [262] and floor surface [261]
256	—	—	GHSS08-256.jpeg	SW	WB 03/13	WB NE area. Working shot. Area around wall [263]
257	—	Y	GHSS08-257.jpeg	SE	WB 03/13	WB NE area. Floor surface [260]
258	—	—	GHSS08-258.jpeg	SE	WB 03/13	WB NE area. Floor surface [260]
259	—	Y	GHSS08-259.jpeg	SW	WB 03/13	WB NE area. Wall [263] in foreground. SW part of wall [264] to the right, sand (265) in the middle
260	—	Y	—	SW	WB 03/13	WB NE area. Wall [263] in foreground. SW part of wall [264] to the right, sand (265) in the middle

PHOTO	CP	CS	DIGITAL FILE NAME	FACING	JOB PHASE	DESCRIPTION	PHOTO	CP	CS	DIGITAL FILE NAME	FACING	JOB PHASE	DESCRIPTION
261	-	Y	GHSS08-261.jpeg	NE	WB 03/13	WB NE area. Wall [263] in the foreground. Floor [261] in the background	281	Y	-	-	SE	WB 04-05/13	WB SW area. W side of wall [272] exposed in trench to the SE
262	-	Y	GHSS08-262.jpeg	NE	WB 03/13	WB NE area. Wall [262] in foreground. Surfaces [260] & [261] (in the background to the left). NE part of wall [264] (to the left). Deposit (267) at the base of the trench.	282	Y	-	GHSS08-282.jpeg	NW	WB 04-05/13	WB SW area. E side of wall [272] exposed in trench to the SE
263	-	-	GHSS08-263.jpeg	SW	WB 03/13	WB NE area. Deposit (267) at the base of the trench. Wall [264] to the right below [260] & [261]	283	Y	-	GHSS08-283.jpeg	NW	WB 04-05/13	WB SW area. E side of wall [272] exposed in trench to the SE
264	-	-	GHSS08-264.jpeg	NE	WB 03/13	WB NE area. Cross-section of wall [264] at SE end of trench	284	Y	-	GHSS08-284.jpeg	NW	WB 04-05/13	WB SW area. E side of wall [272] exposed in trench to the SE
265	-	-	GHSS08-265.jpeg	NE	WB 03/13	WB NE area. SW side of wall [262] exposed under mortared surface [260]	285	Y	-	GHSS08-285.jpeg	SW	WB 04-05/13	WB SW area. Top of wall [272] exposed in trench to the SE
266	-	-	GHSS08-266.jpeg	NE	WB 03/13	WB NE area. SW side of wall [262] exposed under mortared surface [260]	286	Y	-	GHSS08-286.jpeg	SW	WB 04-05/13	WB SW area. Top of wall [272] exposed in trench to the SE
267	-	-	GHSS08-267.jpeg	NE	WB 03/13	WB NE area. SW side of wall [262] exposed under mortared surface [260]	287	Y	-	GHSS08-287.jpeg	NE	WB 04-05/13	WB SW area. View along trench towards the NE
268	-	-	GHSS08-268.jpeg	N	WB 03/13	WB NE area. Wall [269] and cut [270] seen in NW side of trench	288	Y	-	GHSS08-288.jpeg	NE	WB 04-05/13	WB SW area. View towards the NE end of trench
269	-	-	GHSS08-269.jpeg	N	WB 03/13	WB NE area. Wall [269] and cut [270] seen in NW side of trench	289	Y	-	GHSS08-289.jpeg	W	WB 04-05/13	WB SW area. Cut [282] seen in NW side of trench towards the NE end
270	-	-	GHSS08-270.jpeg	E	WB 03/13	WB NE area. Wall [269] and cut [270] seen in SE side of trench	290	Y	-	GHSS08-290.jpeg	W	WB 04-05/13	WB SW area. Cut [282] seen in NW side of trench towards the NE end
271	-	-	GHSS08-271.jpeg	E	WB 03/13	WB NE area. Wall [269] and cut [270] seen in SE side of trench	291	Y	-	GHSS08-291.jpeg	NW	WB 04-05/13	WB SW area. Cut [282] seen in NW side of trench towards the NE end
272	-	-	GHSS08-272.jpeg	N	WB 03/13	WB NE area. Wall [269] and cut [270] seen in NW side of trench	292	-	-	GHSS08-292.jpeg	NW	WB 04-05/13	WB SW area. Cut [282] seen in NW side of trench towards the NE end
273	-	-	GHSS08-273.jpeg	SE	WB 03/13	WB NE area. N end of trench fully excavated with pipes installed	293	Y	-	GHSS08-293.jpeg	NW	WB 04-05/13	WB SW area. Cobbled surface seen on NW side of trench towards the NE end
274	-	-	GHSS08-274.jpeg	E	WB 03/13	WB NE area. S end of trench fully excavated	294	-	-	GHSS08-294.jpeg	NE	WB 14/01/14	WB NW area. Wall [302]. Wall [301] in the background
275	-	-	GHSS08-275.jpeg	SE	WB 03/13	WB NE area. Middle section of trench fully excavated	295	-	-	GHSS08-295.jpeg	NE	WB 14/01/14	WB NW area. SW elevation of wall [302]
276	-	Y	-	SW	WB 03/13	WB NE area. View along trench from the NE end	296	-	-	GHSS08-296.jpeg	NW	WB 14/01/14	WB NW area. Wall [302] from above
277	Y	-	GHSS08-277.jpeg	SW	WB 04-05/13	WB SW area. View along trench towards manhole at the SW end	297	-	-	GHSS08-297.jpeg	SW	WB 14/01/14	WB NW area. Wall [302]
278	Y	-	GHSS08-278.jpeg	SW	WB 04-05/13	WB SW area. SE facing section of trench.	298	-	-	GHSS08-298.jpeg	W	WB 14/01/14	WB NW area. Wall [301] from above
279	Y	-	GHSS08-279.jpeg	N	WB 04-05/13	WB SW area. Cut [280] seen in NW side of trench towards the SW end	299	-	-	GHSS08-299.jpeg	W	WB 14/01/14	WB NW area. Wall [301] from above
280	Y	-	GHSS08-280.jpeg	SE	WB 04-05/13	WB SW area. W side of wall [272] exposed in trench to the SE	300	-	-	GHSS08-300.jpeg	N	WB 14/01/14	WB NW area. Wall [301]
							301	-	-	GHSS08-301.jpeg	S	WB 14/01/14	WB NW area. Wall [301]
							302	-	-	GHSS08-302.jpeg	NE	WB 14/01/14	WB NW area. Wall [301]. S elevation
							303	-	-	GHSS08-303.jpeg	SE	WB 14/01/14	WB NW area. Wall [301]. N elevation

PHOTO	CP	CS	DIGITAL FILE NAME	FACING	JOB PHASE	DESCRIPTION
304	--	--	GHSS08-304.jpeg	NE	WB 14/01/14	WB NW area. Wall [302] partly removed
305	--	--	GHSS08-305.jpeg	NE	WB 14/01/14	WB NW area. Wall [302] partly removed, detail
306	--	--	GHSS08-306.jpeg	NW	WB 14/01/14	WB NW area. Wall [302] partly removed, from above
307	--	--	GHSS08-307.jpeg	W	WB 14/01/14	WB NW area. Section across wall [301]
308	--	--	GHSS08-308.jpeg	W	WB 14/01/14	WB NW area. Section across wall [302]
309	--	--	GHSS08-309.jpeg	NW	WB 14/01/14	WB NW area. Section across wall [302]

SAMPLE	CONTEXT	VOLUME (L)	DESCRIPTION
06	181	10	Secondary Fill from Pit [180]
07	183	10	Primary Fill from Pit [180]
08	185	10	Secondary Fill from Pit [180]
09	184	10	Secondary Fill/Layer from Pit [180]
10	186	10	Tertiary Fill From Pit [180]/ Linear Fill [166]
11	167	10	Fill from Linear [166]
12	171	2	Fill of Pit [172]
13	155	10	Upper Fill from Pit [154]
14	219	10	Tertiary Fill from Pit [154]
15	210	10	Tertiary Fill from Pit [154]
16	211	10	Middle Fill of Pit [154]
17	221	10	Middle Fill of Pit [154]
18	212	10	Middle Fill of Pit [154]
19	213	10	Primary Fill of Pit [154]
20	209	10	Middle Fill of Pit [154]
21	220	10	Middle Fill of Pit [154]
22	222	10	Lower Fill of Pit [154]
23	205	10	Fill from [160]
24	224	10	Primary Fill of Pit [154]
25	206	10	Fill of Linear [207]
26	201	10	Fill of Pit [204]
27	202	10	Fill of Pit [204]
28	203	10	Basal Pit [204]
29	196	10	Fill of Pit [162]
30	208	10	Fill of Pit [162]
31	199	10	Basal Fill of Pit [162]
32	206	10	Fill of Linear [207]
33	229	10	Upper Fill from Pit [223]
34	230	10	Fill from Pit [230]
35	233	10	Lower Fill of Pit [223]
36	234	10	Basal Fill in Cut [223]
37	232	10	Middle Fill of Pit [223]
38	191	10	Upper Fill of Pit [225]
39	192	10	Fill of Pit [225]
40	193	10	Fill of Pit [225]
41	195	10	Fill of Pit [225]
42	226	10	Fill of Pit [227]
43	--	--	Monolith through the primary deposits in pit [154]

Appendix 1.3 Drawing register

DRAWING	DATE	PLAN	SECTION	DESCRIPTION
01	15/04/10	--	1:10	Section showing location of bones
02	15/04/10	v	--	Location plan
03	05/07/10	--	1:10	Section through linear cut [174] and pit [172]
04	05/07/10	--	1:10	Section through SW terminal of [166]
05	07/07/10	--	1:10	Section through cuts [162] and [204]
06	07/07/10	--	1:10	Section through cuts [162] and [207]
07	07/07/10	--	1:10	Section through cuts [160] and [207]
08	07/07/10	--	1:10	Section through pit [154]
09	09/07/10	--	1:10	Section through pit [223]
10	01/07/10	--	1:10	Section across ditch [170]
11	05/07/10	--	1:10	Section across pit [164]
12	05/07/10	--	1:10	Section across cut [180]
13	09/07/10	--	1:10	Section through pit [225]
14	04/05/13	--	1:20	N-half of trench profile, SW part of site
15	04/05/13	--	1:50	SE-facing trench profile, SW part of site

Appendix 1.4 Sample register

SAMPLE	CONTEXT	VOLUME (L)	DESCRIPTION
01	169	20	Fill of gully [170]
02	165	10	Fill from Pit [164]
03	175	5	Secondary Fill from Pit [164]
04	176	10	Primary Fill from Pit [164]
05	177	5	Tertiary Fill from Pit [164]

APPENDIX 2 FINDS CATALOGUE

CONTEXT	FEATURE	SF	SAMPLE	QTY	WEIGHT (G)	MATERIAL	OBJECT	DESCRIPTION	SPOT DATE	PERIOD
U/S	Inside	—	—	1	2	Clay Pipe	Stem	wide bore	17th/18th	PM
U/S	Inside	—	—	1	8	Pottery (Mod)	Slip-lined redware	bowl base	18th-19th	Mod
U/S	Found by workmen on site	52	—	1	19,400	Stone	Lid?	Large slab of grey sandstone, worked into light bulb shape with broad rounded end and square end. Stone laminating and in several pieces. One side particularly worn and flaking. Possibly a lid to well/cesspit. Possibly grave marker?	—	
U/S	Found by workmen on site	41	—	1	14,600	Stone & Iron	Curling Stone	Grey sandstone curling stone, chipped into rough round shape with curving sides. Underside worn very smooth. Iron L-shaped handle embedded into hole in top of stone (caulked with lead?). Handle bent downwards with tip corroded onto stone	—	PM/Mod
004	Deposit 004	—	—	1	1	Clay Pipe	Stem	narrow bore	19th/e.20th	Mod
004	Deposit 004	—	—	1	3	Pottery (PM)	PMO	jar rim	17th/18th	PM
006	Deposit 004	—	—	1	0	CBM	Drain	stoneware drain pipe fragment	—	Mod
153	Old B Horizon 153	—	—	6	39	Pottery (Medi)	SWGW	2 bases, jars, jugs?	12th/m.14th	Medi
153	Old B Horizon 153	—	—	2	11	Pottery (Medi)	MRW	jug, white slip	13th/14th	Medi
154	Pit 154	—	—	1	2	CBM	Pan Tile	fragment	17th/20th	PM/Mod
154	Pit 154	—	—	1	5	Pottery (Medi)	MRW	coarse, unglazed	13th/15th	Medi
154	Pit 154	—	—	1	2	Pottery (Medi)	U/IIMP	fine redware, applied white strip, glazed yellow/brown	m.12th/m.14th	Medi
154	Pit 154	—	—	1	4	Pottery (Medi)	SWGW	jar sherd?	12th/m.14th	Medi
154	Pit 154	—	—	5	47	Pottery (Medi)	SWGW	jars, rim, base, sooting	12th/m.14th	Medi
154	Pit 154	—	—	2	10	Pottery (Medi)	MRW	jug handle terminal, olive glazed, sherd with white slipped interior	13th/15th	Medi
155	Pit 154	6	—	1	—	Iron	Horseshoe Nail	—	—	Medi?
155	Pit 154	7	—	1	2	Iron	Shaft	—	—	
155	Pit 154	—	13	15	45	Pottery (Medi)	SWGW	2 rims, small sherds, jars, jug	12th/m.14th	Medi
155	Pit 154	—	—	1	1	Pottery (Medi)	U/IIMP	fine redware, applied white strip, glazed yellow/brown	m.12th/m.14th	Medi
155	Pit 154	—	—	3	20	Pottery (Medi)	YORKS	green glaze, pale fabric, applied pips and incised lines	m.12th/m.14th	Medi
155	Pit 154	—	—	122	633	Pottery (Medi)	SWGW	jars, jugs, 108 body sherds, 6 rims, 7 bases, 1 handle	12th/m.14th	Medi
155	Pit 154	—	—	64	276	Pottery (Medi)	MRW	jugs, jars, white slipped unglazed surfaces, 59 bodies, 3 rims, 1 base, 1 handle	13th/m.14th	Medi
155	Pit 154	—	—	1	2	Pottery (Medi)	LCRW?	LCRW?	13th/15th	Medi
156	Pit 154	10	—	1	—	Iron	Horseshoe Nail	—	—	Medi?
156	Pit 154	9	—	1	—	Iron	Nail	—	—	
156	Pit 154	8	—	1	—	Iron	Object	—	—	

CONTEXT	FEATURE	SF	SAMPLE	QTY	WEIGHT (G)	MATERIAL	OBJECT	DESCRIPTION	SPOT DATE	PERIOD
156	Pit 154	13	—	1	—	Iron	Horseshoe Nail?	—	—	Medi?
156	Pit 154	12	—	1	—	Iron	Horseshoe Nail?	—	—	Medi?
156	Pit 154	11	—	1	—	Iron	Horseshoe Nail	—	—	Medi?
156	Pit 154	—	—	1	5	Lithics	Flint	burnt?	—	
156	Pit 154	—	—	1	3	Pottery (Medi)	YORKS?	copper green glazed, pink fabric, Yorks?	m.12th/ m.14th	Medi
156	Pit 154	—	—	1	2	Pottery (Medi)	U/1 IMP	fine redware, applied white strip, glazed yellow/brown	m.12th/ m.14th	Medi
156	Pit 154	—	—	10	43	Pottery (Medi)	MRW	jars, jug?, sooting, 1 rim, 1 base	13th/ m.14th	Medi
156	Pit 154	—	—	262	2006	Pottery (Medi)	SWGW	jars, jugs, much sooting, 210 bodies, 24 rims, 2 handles, 26 bases. Large joining sherds, possible complete cooking pot?	12th/ m.14th	Medi
156	Pit 154	—	—	27	491	Pottery (Medi)	SWGW	jug, sherds from same vessel, decorated with applied iron coloured impressed strip, copper green glaze. Large joining sherds. 25 bodies, 2 handles	13th/14th	Medi
156	Pit 154	—	—	1	9	Pottery (Medi)	LCRW?	orange glazed redware, LCRW?	13th/15th	Medi
156	Pit 154	—	—	1	8	Stone	Natural?	shale or similar fine black stone, worked?	—	
161	Pit 160	—	—	1	89	CBM	Roof Tile	Thick, coarse, flat, red	—	Medi
161	Pit 160	2	—	3	4	Copper Alloy	Sheet	small sheet sherds, joining?	—	
161	Pit 160	3	—	1	—	Copper Alloy/ Lead Alloy	Object	spike, bent, Pb with Cu corrosion?, nail?	—	
161	Pit 160	—	—	1	6	Glass	Window	good condition	—	PM/ Mod
161	Pit 160	14	—	1	14	Industrial Waste	Iron Slag	—	—	
161	Pit 160	—	—	1	3	Industrial Waste	Slag?	dense dark grey residue	—	
161	Pit 160	15	—	1	—	Iron	Nail	—	—	
161	Pit 160	4	—	1	46	Lead Alloy	Weight	Flat cylindrical object with narrow hole through centre.	—	
161	Pit 160	5	—	1	40	Lead Alloy	Weight	Square block of lead, one corner missing.	—	
161	Pit 160	—	—	36	138	Pottery (Medi)	SWGW	31 bodies, 3 rims, 1 handle, 1 base, jugs, small sherds	12th/14th	Medi
161	Pit 160	—	—	38	227	Pottery (Medi)	MRW	33 bodies, 1 rim, 2 bases, 2 handles	13th/15th	Medi
161	Pit 160	—	—	3	9	Pottery (Medi)	YORKS	green glazed sherds	m.12th/ m.14th	Medi
161	Pit 160	—	—	29	504	Pottery (Medi)	MRW	mostly small sherds, but for one very large body sherd, abraded, 23 bodies, 3 rims, 3 bases, thumbbed base, unusual rim form, jugs, jar?	13th/ m.14th	Medi
161	Pit 160	—	—	1	2	Pottery (Medi)	YORKS	small sherd	m.12th/ m.14th	Medi
161	Pit 160	—	—	36	183	Pottery (Medi)	SWGW	small sherds, 1 handle, jugs, jar?	12th/15th	Medi
161	Pit 160	—	—	1	23	Stone	Shale	natural?	—	
163	Pit 162	—	—	—	3	Industrial Waste	Iron Slag	—	—	
163	Pit 162	19	—	1	—	Iron	Object	—	—	
163	Pit 162	18	—	1	—	Iron	Nail	—	—	
163	Pit 162	17	—	1	—	Iron	Nail?	—	—	

CONTEXT	FEATURE	SF	SAMPLE	QTY	WEIGHT (G)	MATERIAL	OBJECT	DESCRIPTION	SPOT DATE	PERIOD
163	Pit 162	16	—	1	11	Iron	Shaft	—	—	
163	Pit 162	20	—	1	—	Iron	Horseshoe Nail?	—	—	Medi?
163	Pit 162	—	—	1	2	Lithics	Flint	burnt	—	
163	Pit 162	—	—	59	218	Pottery (Medi)	MRW	53 bodies, 4 rims, 2 bases, small abraded sherds, jugs, jars	13th/ m.14th	Medi
163	Pit 162	—	—	73	188	Pottery (Medi)	SWGW	68 bodies, 3 rims, 2 bases, small abraded sherds, mostly jars	12th/ m.14th	Medi
163	Pit 162	—	—	6	16	Pottery (Medi)	YORKS	small sherds, various jugs	m.12th/ m.14th	Medi
163	Pit 162	—	—	1	3	Stone	Flint	waterworn pebble	—	
165	Pit 164	—	—	1	22	CBM	Roof Tile	Flat, red	—	Medi
165	Pit 164	—	—	1	16	CBM	Roof Tile	Flat, soft red fabric	—	Medi
165	Pit 164	—	2	4	3	CBM	Daub	fragments	—	
165	Pit 164	—	—	—	68	Industrial Waste	Iron Slag	lumps	—	
165	Pit 164	22	—	1	4	Iron	Shaft	—	—	
165	Pit 164	25	—	1	—	Iron	Horseshoe Nail	—	—	Medi?
165	Pit 164	23	—	1	5	Iron	Shaft	—	—	
165	Pit 164	21	—	1	—	Iron	Nail?	—	—	
165	Pit 164	24	—	1	9	Iron	Arrowhead?	socketed, broken blade	—	
165	Pit 164	—	—	1	6	Lithics	Flint	cortex covered pebble	—	
165	Pit 164	—	—	17	47	Pottery (Medi)	SWGW	1 base, jugs?	12th/15th	Medi
165	Pit 164	—	2	6	8	Pottery (Medi)	SWGW	1 rim, body fragments	12th/15th	Medi
165	Pit 164	—	—	7	77	Pottery (Medi)	YORKS	2 thumb bases, green glazed body sherds	m.12th/ m.14th	Medi
165	Pit 164	—	—	73	352	Pottery (Medi)	SWGW	62 bodies, 7 rims, 1 handle (sooted, unglazed), 3 bases, mainly jars, some jugs, small abraded sherds	12th/ m.14th	Medi
165	Pit 164	—	—	81	489	Pottery (Medi)	MRW	73 bodies, 4 bases, 3 rims, 1 applied spout with moulded face decoration, body with wavy combed lines, jugs, jars, some sooting, small abraded sherds	13th/ m.14th	Medi
165	Pit 164	—	2	10	18	Pottery (Medi)	MRW	fragments	13th/15th	Medi
165	Pit 164	—	—	1	2	Pottery (Medi)	SWGW	olive glazed	12th/15th	Medi
165	Pit 164	—	—	1	2	Pottery (Medi)	YORKS	small sherd	m.12th/ m.14th	Medi
165	Pit 164	—	—	15	42	Pottery (Medi)	MRW	small sherds, jars?	13th/14th	Medi
165	Pit 164	—	—	2	5	Pottery (Medi)	MRW	small sherds, white slipped	13th/14th	Medi
167	Gully 166	—	11	—	0	Industrial Waste	Iron Slag	—	—	
167	Gully 166	29	—	1	—	Iron	Nail?	—	—	
167	Gully 166	26	—	1	—	Iron	Object	—	—	
167	Gully 166	42	11	1	0	Iron	Fragment	—	—	
167	Gully 166	—	—	8	31	Pottery (Medi)	MRW	1 base (splayed)	13th/15th	Medi
167	Gully 166	—	—	3	29	Pottery (Medi)	SWGW	1 handle, copper green glazed sherds	12th/14th	Medi

CONTEXT	FEATURE	SF	SAMPLE	QTY	WEIGHT (G)	MATERIAL	OBJECT	DESCRIPTION	SPOT DATE	PERIOD
167	Gully 166	—	—	4	40	Pottery (Medi)	SWGW	1 rim, jars	12th/ m.14th	Medi
167	Gully 166	—	—	4	8	Pottery (Medi)	MRW	1 rim, white slipped	13th/14th	Medi
167	Gully 166	—	—	1	0	Pottery (Medi)	YORKS	fragment	m.12th/ m.14th	Medi
167	Gully 166	—	11	7	3	Pottery (Medi)	MRW	fragments	13th/15th	Medi
167	Gully 166	—	11	6	4	Pottery (Medi)	SWGW	fragments	12th/15th	Medi
167	Gully 166	—	—	2	13	Pottery (Medi)	SWGW	small sherds	12th/15th	Medi
167	Gully 166	—	—	10	44	Pottery (Medi)	MRW	small sherds, 1 jug base with stacking scar	13th/15th	Medi
167	Gully 166	—	—	1	28	Pottery (PM)	PMR	smooth fabric, olive glaze	17th/18th	PM
168	Deposit 168	—	—	1	5	Pottery (Medi)	MRW	rim, jug	13th/15th	Medi
168	Deposit 168	—	—	1	21	Pottery (PM)	PMR	body sherd	16th	PM
169	Gully 170	—	—	1	110	CBM	Roof Tile	Flat, red soft fabric	—	Medi
169	Gully 170	—	1	1	5	CBM	Daub	small lump	—	
169	Gully 170	—	—	1	6	Clay Pipe	Stem	wide bore	17th/18th	PM
169	Gully 170	—	1	—	22	Industrial Waste	Iron Slag	—	—	
169	Gully 170	—	1	—	6	Industrial Waste	Mag Res	—	—	
169	Gully 170	43	1	1	4	Iron	Fragment	—	—	
169	Gully 170	27	—	1	—	Iron	Nail?	—	—	
169	Gully 170	—	—	1	2	Lithics	Chert	small abraded flake	—	
169	Gully 170	—	1	9	18	Pottery (Medi)	MRW	1 jug rim/spout	13th/15th	Medi
169	Gully 170	—	—	34	144	Pottery (Medi)	MRW	2 rims, jugs, jar	13th/ m.14th	Medi
169	Gully 170	—	1	1	3	Pottery (Medi)	SWGW	rim	12th/15th	Medi
169	Gully 170	—	—	16	79	Pottery (Medi)	SWGW	small sherds, copper green glazed handle terminal	12th/14th	Medi
169	Gully 170	—	—	2	7	Pottery (Medi)	YORKS	small sherds, incised decoration	m.12th/ m.14th	Medi
169	Gully 170	—	—	3	44	Pottery (PM)	PMR/PMO	jug, jar, skillet?	17th/18th	PM
171	Pit 172	—	—	2	7	Pottery (Medi)	SWGW	copper green glaze, sooted	12th/14th	Medi
171	Pit 172	—	—	1	4	Pottery (Medi)	MRW	unglazed, abraded	13th/15th	Medi
176	Pit 164	—	4	—	20	Industrial Waste	Iron Slag	—	—	
176	Pit 164	30	4	1	—	Iron	Nail	—	—	
176	Pit 164	44	4	1	9	Iron	Shaft	—	—	
176	Pit 164	—	4	6	6	Pottery (Medi)	SWGW	fragments	12th/15th	Medi
176	Pit 164	—	—	1	2	Pottery (Medi)	SWGW	small fine sherd	12th/14th	Medi
177	Pit 164	—	5	1	0	Lithics	Flint	chip	—	
181	Pit 180	—	6	2	1	Pottery (Medi)	MRW	fragments	13th/15th	Medi
181	Pit 180	—	—	3	21	Pottery (Medi)	MRW	handle terminal, sooted body sherd	13th/14th	Medi
183	Pit 180	—	7	40	22	CBM	Daub	fragments	—	
183	Pit 180	—	7	—	0	Industrial Waste	Slag Spheres	—	—	

CONTEXT	FEATURE	SF	SAMPLE	QTY	WEIGHT (G)	MATERIAL	OBJECT	DESCRIPTION	SPOT DATE	PERIOD
183	Pit 180	31	7	1	—	Iron	Mail Ring?	—	—	Medi?
183	Pit 180	—	—	4	21	Pottery (Medi)	SWGW	1 base	12th/15th	Medi
183	Pit 180	—	7	1	0	Pottery (Medi)	MRW	small sherd	13th/15th	Medi
183	Pit 180	—	7	1	0	Pottery (Medi)	SWGW	small sherd	12th/15th	Medi
183	Pit 180	—	—	4	33	Pottery (Medi)	MRW	small sherds	13th/15th	Medi
184	Pit 180	—	9	1	30	CBM	Daub	large lump	—	
184	Pit 180	—	9	—	0	Industrial Waste	Iron Slag	—	—	
184	Pit 180	45	9	1	1	Iron	Fragment	—	—	
184	Pit 180	40	9	1	5	Lead Alloy	Waste	small fragment of dribbled lead	—	
184	Pit 180	—	9	1	2	Pottery (Medi)	SWGW?	sooted	12th/15th	Medi
185	Pit 180	—	8	3	0	CBM	Daub	fragments	—	
185	Pit 180	—	—	4	26	Pottery (Medi)	MRW	1 rim	13th/15th	Medi
185	Pit 180	—	—	2	26	Pottery (Medi)	SWGW	1 rim	12th/15th	Medi
191	Pit 225	—	—	1	36	CBM	Roof Tile	flat, soft red fabric	—	Medi
191	Pit 225	39	38	1	0	Copper Alloy	Sheet	fragment	—	
191	Pit 225	—	38	—	4	Industrial Waste	Iron Slag	—	—	
191	Pit 225	—	38	—	0	Industrial Waste	Slag Spheres	—	—	
191	Pit 225	32	38	1	—	Iron	Nail?	—	—	
191	Pit 225	33	38	1	—	Iron	Object	—	—	
191	Pit 225	—	38	1	0	Lithics	Flint	flake	—	
191	Pit 225	—	—	29	75	Pottery (Medi)	MRW	1 base, small abraded sherds	13th/15th	Medi
191	Pit 225	—	—	5	23	Pottery (Medi)	SWGW	1 handle fragments	12th/15th	Medi
191	Pit 225	—	—	21	65	Pottery (Medi)	SWGW	3 rims, 1 handle, small abraded sherds	12th/15th	Medi
191	Pit 225	—	38	6	3	Pottery (Medi)	MRW	fragments	13th/15th	Medi
191	Pit 225	—	—	3	5	Pottery (Medi)	YORKS	fragments	m.12th/ m.14th	Medi
191	Pit 225	—	38	4	11	Pottery (Medi)	SWGW	small sherds	12th/15th	Medi
191	Pit 225	—	—	3	18	Pottery (Medi)	MRW	various sherds	13th/15th	Medi
192	Pit 225	—	39	—	20	Industrial Waste	Iron Slag	—	—	
192	Pit 225	46	39	1	0	Iron	Shaft	—	—	
192	Pit 225	28	—	1	—	Iron	Nail	—	—	
192	Pit 225	—	—	1	2	Lithics	Flint	flake, some edge retouch	—	PH?
192	Pit 225	—	39	2	4	Pottery (Medi)	MRW	one white slipped	13th/14th	Medi
192	Pit 225	—	—	9	32	Pottery (Medi)	MRW	small abraded sherds	13th/15th	Medi
192	Pit 225	—	—	9	17	Pottery (Medi)	SWGW	small abraded sherds	12th/15th	Medi
192	Pit 225	—	—	3	7	Pottery (Medi)	SWGW	small sherds	12th/15th	Medi
193	Pit 225	—	40	1	0	CBM	Daub	fragment	—	
193	Pit 225	35	40	1	—	Iron	Nail	—	—	

CONTEXT	FEATURE	SF	SAMPLE	QTY	WEIGHT (G)	MATERIAL	OBJECT	DESCRIPTION	SPOT DATE	PERIOD
193	Pit 225	34	40	1	—	Iron	Object	large lump	—	
193	Pit 225	—	—	4	8	Pottery (Medi)	SWGW	1 handle fragment	12th/15th	Medi
193	Pit 225	—	40	1	0	Pottery (Medi)	YORKS	fragment	m.12th/ m.14th	Medi
193	Pit 225	—	40	5	13	Pottery (Medi)	MRW	small sherds	13th/15th	Medi
193	Pit 225	—	—	8	7	Pottery (Medi)	MRW	small sherds	13th/15th	Medi
193	Pit 225	—	—	2	5	Pottery (Medi)	SWGW	small sherds	12th/15th	Medi
193	Pit 225	—	40	3	10	Pottery (Medi)	SWGW	small sherds	12th/15th	Medi
193	Pit 225	—	—	5	20	Pottery (Medi)	MRW	small sherds	13th/15th	Medi
194	Pit 225	—	—	2	21	CBM	Daub	Lumps	—	
194	Pit 225	—	—	1	1	Glass	Window	good condition	—	PM/ Mod
194	Pit 225	—	—	2	7	Pottery (Medi)	MRW	1 base	13th/15th	Medi
194	Pit 225	—	—	35	111	Pottery (Medi)	SWGW	2 bases, small abraded sherds	12th/15th	Medi
194	Pit 225	—	—	58	111	Pottery (Medi)	MRW	small abraded sherds	13th/15th	Medi
195	Pit 225	—	41	1	0	CBM	Daub	fragment	—	
195	Pit 225	—	41	—	10	IndustrialWaste	Iron Slag	—	—	
195	Pit 225	47	41	1	0	Iron	Shaft	—	—	
195	Pit 225	—	41	4	17	Pottery (Medi)	SWGW	1 rim	12th/15th	Medi
195	Pit 225	—	—	1	3	Pottery (Medi)	YORKS	applied scales	m.12th/ m.14th	Medi
195	Pit 225	—	41	7	8	Pottery (Medi)	MRW	fragments	13th/15th	Medi
195	Pit 225	—	—	9	63	Pottery (Medi)	SWGW	sherds	12th/15th	Medi
195	Pit 225	—	—	1	3	Pottery (Medi)	MRW	small abraded sherd	13th/15th	Medi
196	Pit 162	—	29	—	3	IndustrialWaste	Iron Slag	fragments	—	
196	Pit 162	—	—	6	28	Pottery (Medi)	MRW	abraded sherds	13th/15th	Medi
196	Pit 162	—	29	8	6	Pottery (Medi)	MRW	fragments	13th/15th	Medi
196	Pit 162	—	—	1	1	Pottery (Medi)	SWGW	small sherd	12th/15th	Medi
196	Pit 162	—	29	2	9	Pottery (Medi)	SWGW	small sherds	12th/15th	Medi
199	Pit 162	—	31	5	1	CBM	Daub	fragments	—	
199	Pit 162	—	31	—	12	IndustrialWaste	Iron Slag	—	—	
199	Pit 162	—	31	4	6	Pottery (Medi)	MRW	fragments	13th/15th	Medi
201	Pit 204	—	26	—	0	IndustrialWaste	Iron Slag	fragments	—	
201	Pit 204	48	26	1	1	Iron	Shaft	—	—	
201	Pit 204	—	26	2	3	Pottery (Medi)	SWGW	fragments	12th/15th	Medi
201	Pit 204	—	26	3	5	Pottery (Medi)	MRW	fragments	13th/15th	Medi
202	Pit 204	—	27	—	0	IndustrialWaste	Iron Slag	fragments	—	
202	Pit 204	—	27	1	0	Pottery (Medi)	SWGW	fragments	12th/15th	Medi
202	Pit 204	—	27	2	0	Pottery (Medi)	MRW	fragments	13th/15th	Medi

CONTEXT	FEATURE	SF	SAMPLE	QTY	WEIGHT (G)	MATERIAL	OBJECT	DESCRIPTION	SPOT DATE	PERIOD
203	Pit 204	—	28	—	3	Industrial Waste	Iron Slag	fragments	—	
203	Pit 204	—	28	2	2	Pottery (Medi)	MRW	small abraded sherds	13th/15th	Medi
206	Linear 207	—	25	—	0	Industrial Waste	Mag Res	—	—	
206	Linear 207	—	32	—	18	Industrial Waste	Iron Slag	lumps, fragments	—	
206	Linear 207	—	32	4	1	Pottery (Medi)	SWGW	fragments	12th/15th	Medi
206	Linear 207	—	25	3	0	Pottery (Medi)	SWGW	fragments	12th/15th	Medi
206	Linear 207	—	25	1	3	Pottery (Medi)	LANG?	grey body, brown salt glazed exterior	14th/15th	Medi
206	Linear 207	—	—	5	13	Pottery (Medi)	SWGW	small sherds	12th/15th	Medi
208	Pit 162	—	30	3	1	CBM	Daub	fragments	—	
208	Pit 162	—	30	—	2	Industrial Waste	Iron Slag	fragments	—	
208	Pit 162	—	30	2	2	Pottery (Medi)	SWGW	fragments	12th/15th	Medi
208	Pit 162	—	30	5	1	Pottery (Medi)	MRW	fragments	13th/15th	Medi
209	Pit 154	—	20	4	1	Pottery (Medi)	SWGW	fragments	12th/15th	Medi
210	Pit 154	1	—	1	—	Copper Alloy	Spur	Five joining pieces making up most of a spur. One arm complete but for damaged two-holed terminal, one arm missing end, neck broken. Arms curving outwards with slight curve upwards at end.	—	Medi?
210	Pit 154	49	15	1	0	Iron	Fragment	—	—	
210	Pit 154	—	15	1	0	Lithics	Flint	flake	—	
210	Pit 154	—	15	16	36	Pottery (Medi)	SWGW	2 rims, 1 bases, small sherds, jars	12th/ m.14th	Medi
211	Pit 154	50	16	1	6	Iron	Shaft	—	—	
211	Pit 154	—	16	23	141	Pottery (Medi)	SWGW	2 bases, jars, including body sherds from [156] jug	12th/ m.14th	Medi
212	Pit 154	37	18	1	—	Iron	Nail	—	—	
212	Pit 154	36	18	1	—	Iron	Nail	—	—	
212	Pit 154	—	18	16	73	Pottery (Medi)	SWGW	1 handle, including body sherd from [156] jug	13th/14th	Medi
213	Pit 154	—	—	3	80	Pottery (Medi)	SWGW	2 bases, jar sherds	12th/ m.14th	Medi
213	Pit 154	—	19	2	1	Pottery (Medi)	SWGW	fragments	12th/15th	Medi
213	Pit 154	—	—	1	11	Pottery (Medi)	MRW	jar sherd	13th/ m.14th	Medi
219	Pit 154	—	14	3	1	CBM	Daub	fragments	—	
219	Pit 154	—	14	—	0	Industrial Waste	Iron Slag	fragments	—	
219	Pit 154	—	14	8	49	Pottery (Medi)	SWGW	2 bases, jar sherds	12th/ m.14th	Medi
221	Pit 154	—	17	1	0	Lithics	Flint	chip	—	
221	Pit 154	—	17	37	148	Pottery (Medi)	SWGW	1 rim, 2 bases, jar sherds, including body sherd from [156] jug	12th/ m.14th	Medi
222	Pit 154	—	22	—	0	Industrial Waste	Iron Slag	fragment	—	
222	Pit 154	—	22	5	5	Pottery (Medi)	SWGW	fragments	12th/15th	Medi
226	Pit 227	—	42	—	1	Industrial Waste	Mag Res	—	—	

CONTEXT	FEATURE	SF	SAMPLE	QTY	WEIGHT (G)	MATERIAL	OBJECT	DESCRIPTION	SPOT DATE	PERIOD
226	Pit 227	—	42	—	6	Industrial Waste	Iron Slag	fragments	—	
226	Pit 227	38	42	1	—	Iron	Horseshoe Nail?	—	—	Medi?
226	Pit 227	—	—	11	16	Pottery (Medi)	SWGW	1 rim, small sherds	12th/15th	Medi
226	Pit 227	—	—	1	1	Pottery (Medi)	YORKS	small green sherd, pink fabric	M12th- M14th	Medi
226	Pit 227	—	—	12	16	Pottery (Medi)	MRW	small sherds	13th/15th	Medi
226	Pit 227	—	42	1	11	Pottery (Medi)	MRW	unglazed sherd	13th/15th	Medi
229	Pit 223	—	33	8	5	CBM	Daub	fragments	—	
229	Pit 223	—	33	—	2	Industrial Waste	Iron Slag	fragment	—	
229	Pit 223	51	33	2	1	Iron	Fragments	—	—	
229	Pit 223	—	33	2	0	Pottery (Medi)	MRW	fragments	13th/15th	Medi
229	Pit 223	—	33	3	5	Pottery (Medi)	SWGW	small sherds	12th/15th	Medi
230	Pit 223	—	34	—	0	Industrial Waste	Iron Slag	fragments	—	
232	Pit 223	—	37	1	2	Pottery (Medi)	YORKS	orange glazed, applied green strip	m.12th/ m.14th	Medi
232	Pit 223	—	37	1	3	Pottery (Medi)	COARSE	part of gritty grey sherd, very coarse fabric	—	Medi
232	Pit 223	—	37	2	7	Pottery (Medi)	SWGW	sherd and fragment	12th/15th	Medi
232	Pit 223	—	37	4	2	Pottery (Medi)	MRW	small sherd and fragments	13th/15th	Medi
233	Pit 223	—	35	—	0	Industrial Waste	Slag Sphere	—	—	
233	Pit 223	—	35	1	1	Pottery (Medi)	SWGW	small sherd	12th/15th	Medi
249	Wall 247	—	—	2	13	Pottery (Mod)	Whiteware	plain sherds	19th-20th	Mod
251	Deposit 251	—	—	1	2	Pottery (Medi)	SWGW	unglazed body sherd	12th/15th	Medi
251	Deposit 251	—	—	1	48	Pottery (PM)	PMR	strap handle	17th/18th	PM
261	Mortared surface	—	—	1	9	Pottery (Mod)	Whiteware	purple trans printed	19th-20th	Mod
265	Buried soil 265/267	—	44	2	0	Glass	Window?	small distorted sherds, vessel?	—	
265	Buried soil 265/267	—	44	—	10	Industrial Waste	Slag	—	—	
265	Buried soil 265/267	—	44	—	7	Industrial Waste	Mag Res	—	—	
265	Buried soil 265/267	—	44	4	1	Mortar	Mortar	fragments	—	
265	Buried soil 265/267	—	44	5	9	Pottery (Medi)	MRW	small sherds	13th/15th	Medi
265	Buried soil 265/267	—	44	2	2	Pottery (Medi)	SWGW	small sherds	12th/15th	Medi
267	Buried soil 265/267	—	—	1	25	CBM	Tile	curving tile, one face missing	—	Medi/ PM
267	Buried soil 265/267	—	45	2	3	CBM	Fragments	fragments	—	
267	Buried soil 265/267	—	—	1	0	Copper Alloy	Object	small C-shaped piece of sheet copper alloy	—	

CONTEXT	FEATURE	SF	SAMPLE	QTY	WEIGHT (G)	MATERIAL	OBJECT	DESCRIPTION	SPOT DATE	PERIOD
267	Buried soil 265/267	—	—	1	1	Copper Alloy	Object	strip, broken both ends, widening towards one end with two perforations	—	
267	Buried soil 265/267	—	—	2	63	Glass	Bottle	base and fragment of cylindrical wine bottle, hand made	L.18th- e.19th	Mod
267	Buried soil 265/267	—	—	—	10	Industrial Waste	Slag	—	—	
267	Buried soil 265/267	—	45	—	6	Industrial Waste	Mag Res	—	—	
267	Buried soil 265/267	—	45	—	1	Industrial Waste	Slag	—	—	
267	Buried soil 265/267	—	45	—	125	Industrial Waste	Slag	—	—	
267	Buried soil 265/267	—	45	4	45	Iron	Nails	—	—	
267	Buried soil 265/267	—	45	7	18	Pottery (Medi)	MRW	olive glazed jug sherds	13th/15th	Medi
267	Buried soil 265/267	—	45	2	1	Pottery (Medi)	SWGW	small fragments	12th/15th	Medi
267	Buried soil 265/267	—	—	3	7	Pottery (Medi)	MRW	small sherds	13th/15th	Medi
267	Buried soil 265/267	—	—	1	1	Pottery (Mod)	Spongeware	small blue and yellow printed sherd	M19th- M20th	Mod
268	Deposit 268	—	46	3	1	CBM	Fragments	—	—	
268	Deposit 268	—	47	3	9	CBM	Fragments	—	—	
268	Deposit 268	—	—	15	56	CBM	Fragments	various fragments	—	
268	Deposit 268	—	46	1	0	Clay Pipe	Stem	fragment	—	PM/ Mod
268	Deposit 268	—	46	—	13	Industrial Waste	Slag	—	—	
268	Deposit 268	—	47	—	1	Industrial Waste	Slag	—	—	
268	Deposit 268	—	—	—	260	Industrial Waste	Iron Slag	—	—	
268	Deposit 268	—	46	—	2	Industrial Waste	Mag Res	—	—	
268	Deposit 268	—	47	—	2	Industrial Waste	Mag Res	—	—	
268	Deposit 268	—	47	—	3	Industrial Waste	Slag	—	—	
268	Deposit 268	—	—	4	32	Iron	Nails	—	—	
268	Deposit 268	—	46	1	5	Iron	Nail	—	—	
268	Deposit 268	—	—	1	47	Iron	Object	flat ovoid object	—	
268	Deposit 268	—	—	1	1	Pottery (Medi)	FRE?	fine white fabric, copper speckled green glaze	—	Medi
268	Deposit 268	—	—	1	3	Pottery (Medi)	U/I IMP	fine redware, applied white ridged strip, glazed yellow/red	m.12th/ m.14th	Medi
268	Deposit 268	—	46	7	32	Pottery (Medi)	MRW	grooved rod handle	13th/15th	Medi
268	Deposit 268	—	—	3	4	Pottery (Medi)	YORKS	red and white fabrics, copper green glaze, one with applied decoration	M12th- M14th	Medi
268	Deposit 268	—	47	6	7	Pottery (Medi)	SWGW	small sherds	12th/15th	Medi
268	Deposit 268	—	46	8	12	Pottery (Medi)	SWGW	small sherds	12th/15th	Medi

CONTEXT	FEATURE	SF	SAMPLE	QTY	WEIGHT (G)	MATERIAL	OBJECT	DESCRIPTION	SPOT DATE	PERIOD
268	Deposit 268	–	47	12	28	Pottery (Medi)	MRW	small sherds	13th/15th	Medi
268	Deposit 268	–	–	65	313	Pottery (Medi)	SWGW	small sherds, including cooking pots rim and base	12th-15th	Medi
268	Deposit 268	–	–	121	507	Pottery (Medi)	MRW	various small sherds, some white slipped, some olive glazed jugs sherds	13th-16th	Medi
268	Deposit 268	–	–	1	56	Stone	Slate	irregular sherd, scored lines	–	
275	Cobbles 275	–	–	1	22	Pottery (PM)	TGE	plain sherd, bottle/jar	18th	PM
279	Pit 280	–	48	–	9	Industrial Waste	Slag	–	–	
279	Pit 280	–	48	1	1	Pottery (Medi)	MRW	small abraded sherd	13th/15th	Medi
281	Pit 282	–	49	4	1	CBM	Fragments	–	–	
281	Pit 282	–	49	1	0	Glass	Bead	small rounded orange glass bead, diam 4mm, thickness 1mm	–	
281	Pit 282	–	49	–	0	Industrial Waste	Slag	–	–	
281	Pit 282	–	49	–	2	Industrial Waste	Mag Res	–	–	

APPENDIX 3 ENVIRONMENTAL TABLES

Appendix 3.1 Retent sample results

CONTEXT	SAMPLE	SAMPLE VOL (L)	CERAMIC		GLASS	STONE	METAL			MWD	BURNT BONE		UNBURNT BONE		SHELL	CHARRED PLANT			CHARCOAL			MATERIAL AVAILABLE FOR AMS DATING	CINDERS	COAL	COMMENTS
			Pottery	Clay pipe			Daub	Lithics	Cu		Pb	Fe	Fe-slag	Magres		Mammal	Mammal	Fish	Marine	Cereal grain	Hazel nutshell				
155	13	10	+++	-	-	-	-	-	-	-	++	-	-	-	-	-	-	-	+++	1	Yes	+	-	Cinder not retained.	
165	2	10	++	-	+	-	-	-	-	+++	+	-	-	-	-	-	-	+++	2	Yes	-	-	-	-	
167	11	10	+++	-	-	-	+	-	-	+++	-	-	+	-	-	-	-	+	1	Yes	++	++	++	Cinder and coal not retained.	
169	1	20	++	-	-	-	+	-	+++	+++	-	-	-	-	-	-	-	++	0.5	-	++	++	++	Cinder and coal not retained.	
171	12	2	-	-	-	-	-	-	-	+	-	-	-	-	-	-	-	+	0.5	-	++	++	++	Cinder and coal not retained.	
175	3	5	-	-	-	-	-	-	-	+	+	-	-	-	-	-	-	+	<0.5	-	-	-	-	Charcoal not retained.	
176	4	10	+	-	-	-	-	-	-	+++	+++	-	-	-	-	-	-	++	1	Yes	+	-	-	Cinder not retained.	
177	5	5	-	-	-	+	-	-	-	++	-	++	-	+	-	-	-	-	-	-	Yes	-	-	-	
181	6	10	+	-	-	-	-	-	-	+	+	-	-	-	-	-	-	+	1	-	+	-	-	Cinder not retained.	
183	7	10	++	-	+++	-	-	-	+	++	-	-	+	-	-	-	Thorn +	++++	1.5	Yes	+	+	+	Cinder and coal not retained.	
184	9	10	+	-	+	-	-	-	-	++	-	-	-	-	-	-	-	++	1	Yes	++	++	++	Cinder and coal not retained.	
185	8	10	-	-	+	-	-	-	-	+++	-	-	-	-	-	-	-	+	0.5	-	+	+	+	Cinder and coal not retained.	
186	10	10	-	-	-	-	-	-	-	++	-	-	-	-	-	-	-	++	0.5	-	-	-	-	-	
191	38	10	++	-	-	+	-	+	+	+++	-	-	-	-	-	-	-	++	1	Yes	++	++	++	Cinder and coal not retained.	
192	39	10	+	-	-	-	-	+	-	++	-	-	-	-	-	-	-	++	1	Yes	+	+	+	Cinder and coal not retained.	

CONTEXT	SAMPLE	SAMPLE VOL (L)	CERAMIC	CBM	GLASS	STONE	METAL		MWD	MAGRES	BURNT BONE		MAMMAL	FISH	SHELL	CHARRED PLANT			CHARCOAL	MATERIAL AVAILABLE FOR AMS DATING	CINDERS	COAL	COMMENTS					
							Cu	Pb			Fe	Feslag				Mammal	Magres	Marine						Cereal grain	Hazel nutshell	Other	Qty	Max Size (cm)
193	40	10	++	-	-	-	-	-	-	-	-	-	-	-	-	-	-	-	Yes	-	-	-	-					
195	41	10	+++	-	-	-	-	++	-	-	-	-	-	-	-	-	-	-	-	-	-	+	-	Coal not retained.				
196	29	10	++	-	-	-	-	+	-	+++	-	-	-	-	-	-	-	-	-	-	-	++	-	Coal not retained.				
199	31	10	++	-	-	-	-	+	-	-	-	-	-	-	-	-	-	-	Yes	+	++	+	-	Cinder and coal not retained.				
201	26	10	+	-	-	-	-	+	-	-	-	-	-	-	-	-	-	-	-	-	+	+	-	Cinder and coal not retained.				
202	27	10	+	-	-	-	-	+	-	-	-	-	-	-	-	-	-	-	-	-	-	-	-	-				
203	28	10	+	-	-	-	-	+	-	-	-	-	-	-	-	-	-	-	Yes	+	++	+	-	Cinder and coal not retained.				
205	23	10	-	-	-	-	-	-	-	-	-	-	-	-	-	-	-	-	-	-	+	+	-	Charcoal, cinder and coal not retained.				
206	25	10	+	-	-	-	-	-	+	-	-	-	-	-	-	-	-	-	-	-	+	++	-	Cinder and coal not retained.				
206	32	10	++	-	-	-	-	++	-	-	-	-	-	-	-	-	-	-	-	-	+	++	-	Cinder and coal not retained.				
208	30	10	++	-	-	-	-	+	-	-	-	-	-	-	-	-	-	-	-	-	++	++	-	Cinder and coal not retained.				
209	20	10	+	-	-	-	-	-	-	+	-	-	-	-	-	-	-	-	Yes	-	-	-	-	-				
210	15	20	++	-	-	-	-	-	-	-	-	-	-	-	-	-	-	-	Yes	-	-	+	+	-	10 litres processed for insect analysis.			
211	16	20	+++	-	-	-	-	-	-	-	-	-	-	-	-	-	-	-	Yes	+	+	-	-	10 litres processed for insect analysis.				
212	18	20	++	-	-	-	-	-	-	+	-	-	+++	-	-	-	-	-	Yes	-	-	-	-	10 litres processed for insect analysis.				
213	19	10	+	-	-	-	-	-	-	-	-	-	-	-	-	-	-	-	-	-	-	-	-	-				
219	14	10	++	-	-	-	-	+	-	-	-	-	-	-	-	-	-	-	-	-	-	-	-	-				

CONTEXT	SAMPLE	SAMPLE VOL (L)	CERAMIC		GLASS	STONE	METAL		MWD	BURNT BONE		UNBURNT BONE		SHELL	CHARRED PLANT			CHARCOAL			MATERIAL AVAILABLE FOR AMS DATING	CINDERS	COAL	COMMENTS				
			Pottery	Clay pipe			Daub	Lithics		Cu	Pb	Fe	Fe-slag		Magres	Mammal	Mammal	Fish	Marine	Cereal grain					Hazel nutshell	Other	Qty	MaxSize (cm)
220	21	10	-	-	-	-	-	-	-	-	+	-	-	-	-	+	-	++	2	Yes	-	-	-					
221	17	10	+++	-	-	-	-	-	-	+++	+	-	-	-	-	+	-	++++	2	Yes	-	-	-					
222	22	10	++	-	-	-	-	+	-	-	-	-	-	-	-	+	-	++++	1.5	Yes	-	-	-					
224	24	10	-	-	-	-	-	-	-	++	++	-	+	-	-	-	-	+	1	-	-	-	Oyster shell not retained.					
226	42	10	+	-	-	-	-	++	+++	++	++	-	-	-	+	+	-	+	1	-	+	++	Cinder and coal not retained.					
229	33	10	+	-	-	-	+	+	-	+++	+++	-	+	-	-	-	-	+	1	-	+	+	Cinder and coal not retained.					
230	34	10	-	-	-	-	-	+	-	+++	+++	-	+	-	-	-	-	+	1	Yes	-	+	Cinder not retained.					
232	37	10	+	-	-	-	-	-	-	++	++	-	-	-	+	-	-	++	1	Yes	+	+	Cinder and coal not retained.					
233	35	10	+	-	-	-	-	-	+	++	++	-	-	-	-	-	-	++	1	Yes	-	+	Coal not retained.					
234	36	10	-	-	-	-	-	-	-	-	-	-	-	-	-	+	-	+	<0.5	-	+	-	Cinder not retained.					
265	44	10	++	-	-	-	-	++	++++	++	++	-	-	-	-	-	-	-	-	Yes	-	-	Coal not retained.					
267	45	10	+++	-	-	-	-	++++	++++	++	++	-	-	-	-	-	-	-	-	Yes	-	-	Coal not retained.					
268	46	10	+++	+	-	-	-	++	++++	++	++	-	-	-	-	-	-	-	-	-	-	-	Coal not retained.					
268	47	10	+++	-	-	-	-	+	++++	++	++	-	-	-	-	-	-	-	-	Yes	-	-	Coal not retained. Nutshell present. Coal not retained.					
279	48	10	+	-	-	-	-	-	-	+	+	-	-	-	-	-	-	-	-	-	-	-	-	Coal not retained.				
281	49	10	-	-	-	-	-	+	++++	+	+	-	-	-	-	-	-	-	-	-	-	-	-	Glass bead present. Coal not retained.				

Key: + = rare, ++ = occasional, +++ = common and ++++ = abundant
 NB charcoal over 1cm is suitable for identification and AMS dating

Appendix 3.2 Flotation sample results

CONTEXT	SAMPLE	FLOT VOL (ML)	OATS	HULLED BARLEY	EMMER WHEAT	WHEAT	CEREAL INDET.	OTHER CHARRED PLANT REMAINS	CHARCOAL		MATERIAL AVAILABLE FOR AMS DATING	COMMENTS
									Qty	Max size (cm)		
155	13	60	++	-	-	-	-	-	++++	1.2	Yes	-
165	2	50	+	+	-	-	-	-	++	<1	Yes	-
167	11	40	+	-	-	-	-	-	++++	2	Yes	-
169	1	40	++	-	+	-	-	-	+++	<1	Yes	Sample contains cinders ++++
171	12	5	-	-	-	-	-	-	++	<1	No	Sample contains cinders +
175	3	10	-	-	-	-	-	Rumex sp. +	++	1	Yes	-
176	4	10	-	-	-	-	-	-	+++	<1	No	-
177	5	5	+	-	-	-	-	Chrysanthemum segetum +	-	-	No	-
181	6	30	-	-	-	-	-	-	+	<1	No	Sample contains cinders ++
183	7	40	+	-	-	-	-	Carex pallescens +	+++	1.5	Yes	-
184	9	20	+	-	-	-	+	-	+++	1	Yes	-
185	8	10	+	-	-	-	-	-	++	1	Yes	-
188	10	5	-	-	-	-	-	-	++	<0.5	No	-
191	38	40	++	-	-	-	-	-	++++	1.8	Yes	-
192	39	20	+	-	-	-	-	-	++	<1	Yes	-
193	40	40	-	-	+	-	-	-	+++	1.2	Yes	-
195	41	60	++	+	-	-	-	Rumex sp. +	++++	2.6	Yes	-
196	29	25	++	-	-	-	-	-	+++	1	Yes	Samples contains cinders ++
199	31	30	+	-	-	-	+	-	++++	1.3	Yes	-
201	26	20	+	-	-	-	-	-	+++	<1	Yes	Samples contains cinders +++
202	27	10	+	+	-	-	-	-	+++	1.2	Yes	-
203	28	30	+	-	-	-	-	-	++++	<0.5	Yes	-
205	23	20	+	-	-	-	-	-	+++	<1	Yes	-
206	25	20	+	-	-	-	-	-	+++	1.1	Yes	-
206	32	30	+	-	-	-	-	-	+	<1	Yes	Samples contains cinders ++
208	30	20	+	-	-	-	-	-	++	<1	Yes	-
209	20	20	+	-	-	-	-	Fumaria officinalis +, Plantago lanceolata +	++++	2	Yes	-
210	15	70	+	+	-	-	-	-	++++	1.7	Yes	-
211	16	50	++	-	-	-	-	-	++++	3.1	Yes	-
212	18	30	++	-	-	-	-	-	++++	2.3	Yes	-

CONTEXT	SAMPLE	FLOT VOL (ML)	OATS	HULLED BARLEY	EMMER WHEAT	WHEAT	CEREAL INDET.	OTHER CHARRED PLANT REMAINS	CHARCOAL		MATERIAL AVAILABLE FOR AMS DATING	COMMENTS
									Qty	Max size (cm)		
213	19	5	-	-	-	-	-	-	-	-	No	Archaeologically sterile
219	14	40	+	-	-	-	-	-	++++	1.1	Yes	-
220	21	15	-	-	-	-	-	-	++	1.3	Yes	-
221	17	5	+	-	-	-	-	-	++++	2.2	Yes	-
222	22	30	-	-	-	-	-	-	+	<0.5	No	-
224	24	30	+	-	-	-	-	-	++++	<1	Yes	-
226	42	50	+	-	-	-	-	-	++	<1	Yes	Sample contains cinders
229	33	40	-	-	-	-	-	-	++++	1.3	Yes	-
230	34	15	-	-	-	-	-	-	+++	<0.5	No	-
232	37	30	-	-	-	-	-	-	+++	<1	No	Samples contains cinders ++
233	35	15	++	-	-	-	-	-	++	1	Yes	-
234	36	5	-	-	-	-	-	-	+	<1	No	-
265	44	150	+	-	-	+	-	-	++	<1	No	Contains cinders. 3 oats
267	45	200	+	-	-	+	+	Rumex sp. +	++	<1	Yes	4 oats. Frequent cinders
268	46	100	+	+	-	+	+	-	+	<1	Yes	4 oats. Frequent cinders
268	47	40	+	-	-	-	+	-	-	-	No	Contains 2 oats and 1 indeterminate cereal
279	48	100	+	-	-	-	+	-	-	-	No	Contains cinders
281	49	100	+	+	-	-	-	-	+	<1	No	Contains frequent cinders

Key: + = rare, ++ = occasional, +++ = common and ++++ = abundant

NB charcoal over 1cm is suitable for identification and AMS dating

APPENDIX 4 DISCOVERY AND EXCAVATION IN SCOTLAND ENTRY

LOCAL AUTHORITY:	Stirling Council
PROJECT TITLE/SITE NAME:	Colessio Hotel, 33 Spittal Street, Stirling
PROJECT CODE:	GHSS08
PARISH:	Stirling
NAME OF CONTRIBUTOR:	Magnar Dalland
NAME OF ORGANISATION:	Headland Archaeology
TYPE(S) OF PROJECT:	Open-area excavation, Watching Brief
NMRS NO(S):	NS79SE 236
SITE/MONUMENT TYPE(S):	—
SIGNIFICANT FINDS:	—
NGR (2 letters, 8 or 10 figures)	NS 7943 9349
START DATE (this season)	October 2009
END DATE (this season)	January 2014
PREVIOUS WORK (incl. DES ref.)	—
MAIN (NARRATIVE) DESCRIPTION: (May include information from other fields)	<p>Archaeological monitoring was carried out during ground breaking works associated with the conversion of a 19th century building into a hotel at 33 Spittal Street, Stirling. The work included watching briefs during the excavation of test pits and service trenches and a small open area excavation. Due to delays in the construction process the work was carried out intermittently over a period of over four years from October 2009 until January 2014.</p> <p>The fieldwork uncovered boundaries, a well and large pits associated with activity within the medieval burgage plots stretching back from Spittal Street. The features produced large amounts of pot dating from the 12th to the 16th century. No medieval buildings were recorded</p> <p>Remains of post-medieval buildings and boundaries on the form of mortared stone walls were recorded at several locations. Some of these can be identified as mapped a building and walls featured on the 1st edition OS map of Stirling from the mid-19th century.</p>
PROPOSED FUTURE WORK:	None
CAPTION(S) FOR ILLUSTRS:	—
SPONSOR OR FUNDING BODY:	Colessio Hotel Ltd
ADDRESS OF MAIN CONTRIBUTOR:	Headland Archaeology, 13 Jane Street, Edinburgh EH6 5HE
EMAIL ADDRESS:	magnar.dalland@headlandarchaeology.com
ARCHIVE LOCATION (intended/ deposited)	RCAHMS



© 2016 by Headland Archaeology (UK) Ltd

SOUTH & EAST

Headland Archaeology
Building 68C, Wrest Park, Silsoe
Bedfordshire MK45 4HS

01525 861 578

southandeast@headlandarchaeology.com

MIDLANDS & WEST

Headland Archaeology
Unit 1, Clearview Court, Twyford Road
Hereford HR2 6JR

01432 364 901

midlandsandwest@headlandarchaeology.com

NORTH

Headland Archaeology
Unit 16, Hillside, Beeston Road
Leeds LS11 8ND

0113 387 6430

north@headlandarchaeology.com

SCOTLAND

Headland Archaeology
13 Jane Street
Edinburgh EH6 5HE

0131 467 7705

scotland@headlandarchaeology.com

www.headlandarchaeology.com